



PGT ClassicVue Max™

PGT WinGuard®
ALUMINUM

SH7600A / SH7700A

This reference guide is to help identify parts and ordering options.

FRAME PARTS



Sprial Balance
(Eze-lift)



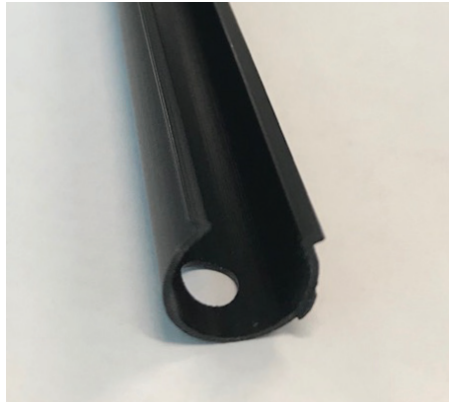
Sprial Balance
(Ultra-lift)



WOCD
(automatically engages)



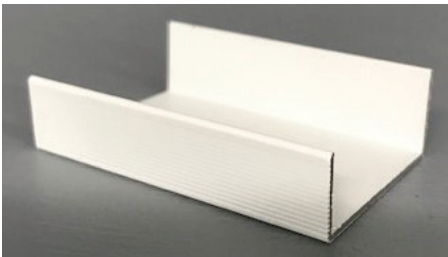
Vent latches
(manually engages)



Balance cover
(color matched to frame)



Frame cover



Sash stop/limited travel
sash stop



Balance take-out tool

SASH PARTS



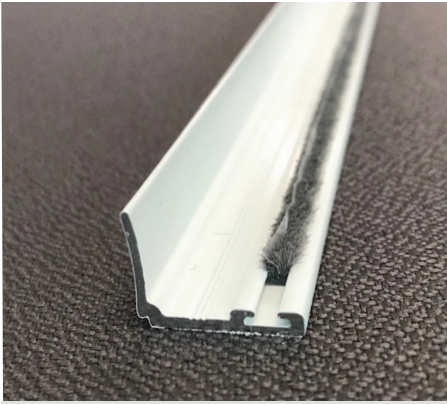
Sash lock
(color matched to frame)



Sash bottom lock
(color matched to frame)



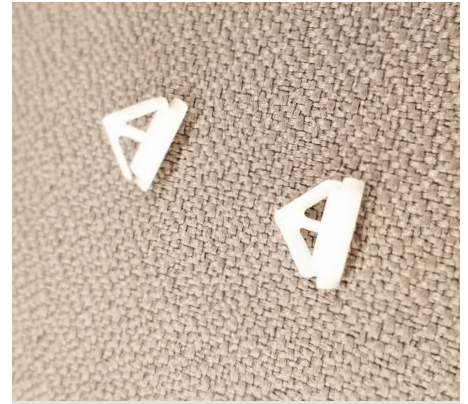
Sash cover guide
(small for eze lift/large for ultra)



IG bead
(varies depending on glass type)



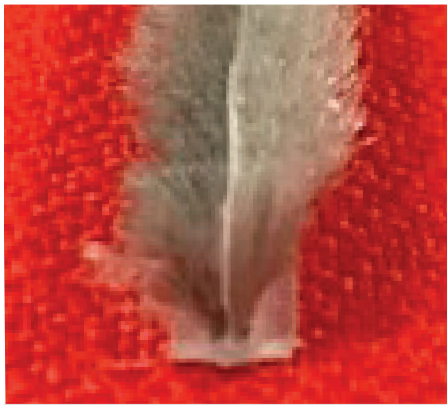
Bottom rail end cap



Sash guide button



Bulb weather-strip
(bottom of sash)



Fin seal weather-strip
(meeting rail, top/side of sash)

SCREEN PARTS



Screen corner key – roll form

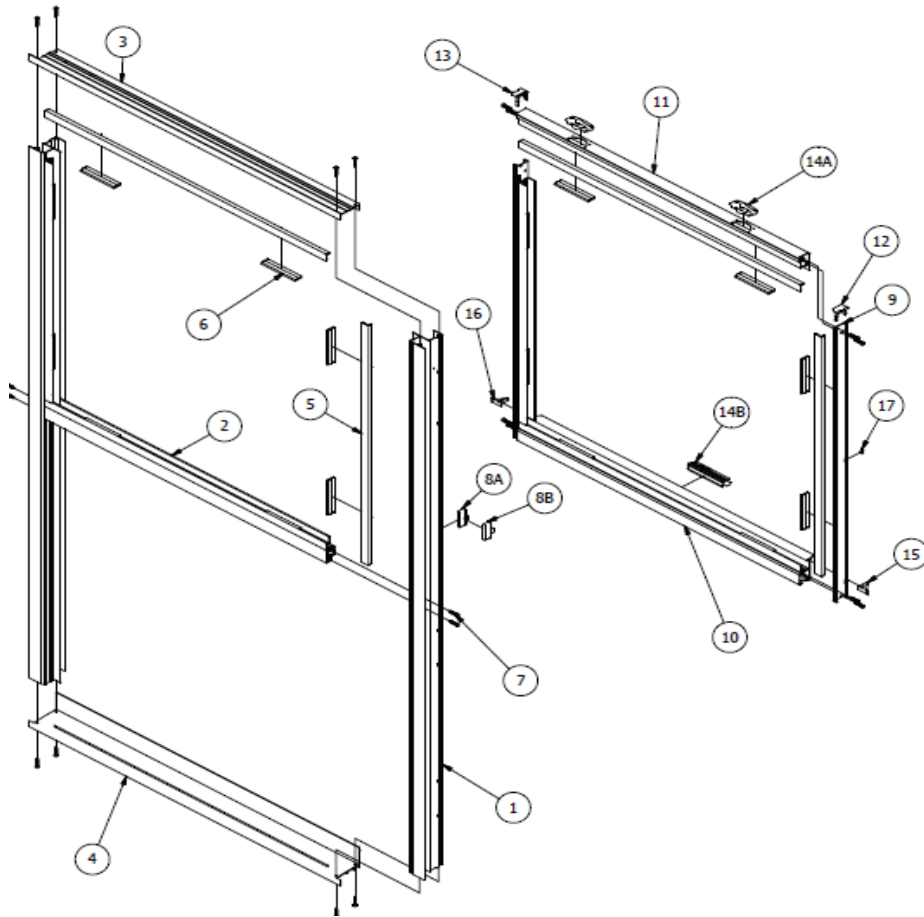


Tension spring



Roll form screen

EXPLODED VIEWS



PARTS LIST		
ITEM	QTY	DESCRIPTION
1	2	JAMB
2	1	MEETING RAIL
3	1	HEAD
4	1	SILL
5	8	GLAZING BEAD
6	16	SETTING BLOCK
7	20	SCREW
8A	2	THIN WOOD
8B	2	VENTILATION CLIP
9	1	SASH SIDERAIL
10	1	SASH BOTTOM RAIL
11	1	SASH TOP RAIL
12	1	SASH GUIDE - RIGHT
13	1	SASH GUIDE - LEFT
14A	2	SWEEP LOCK
14B	1	BOTTOM LOCK
15	1	LIFT RAIL END CAP - RIGHT
16	1	LIFT RAIL END CAP - LEFT
17	2	SASH SIDERAIL GUIDE