

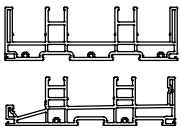
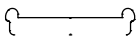

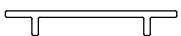

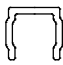
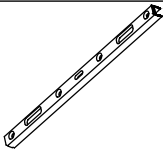
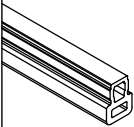
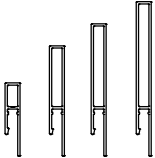
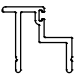
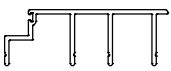
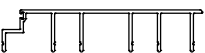
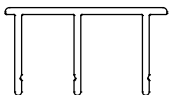

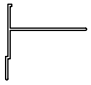
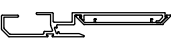
**PGT**® WinGuard®  
VINYL

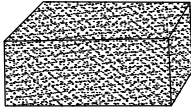

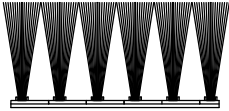


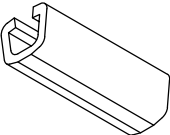
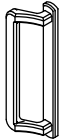
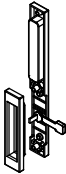


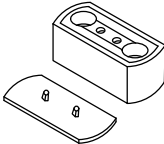

**PGT**® EnergyVue®





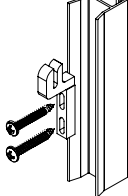
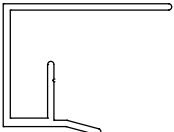
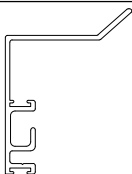
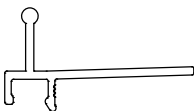
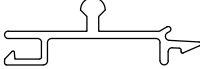
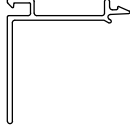
# Preferred View Narrow Style Vinyl Sliding Glass Door Assembly Instructions

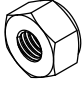
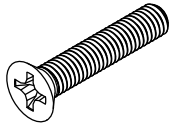
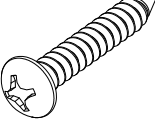
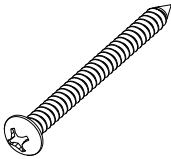
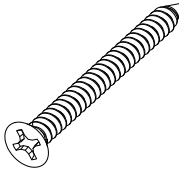
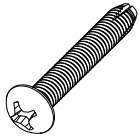
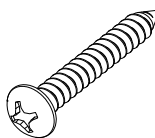
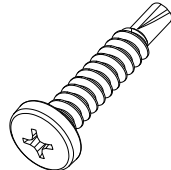
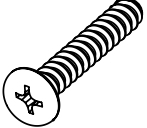
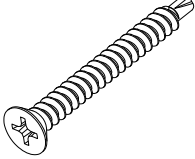
**SERIES SGD 5470NS/5570NS**



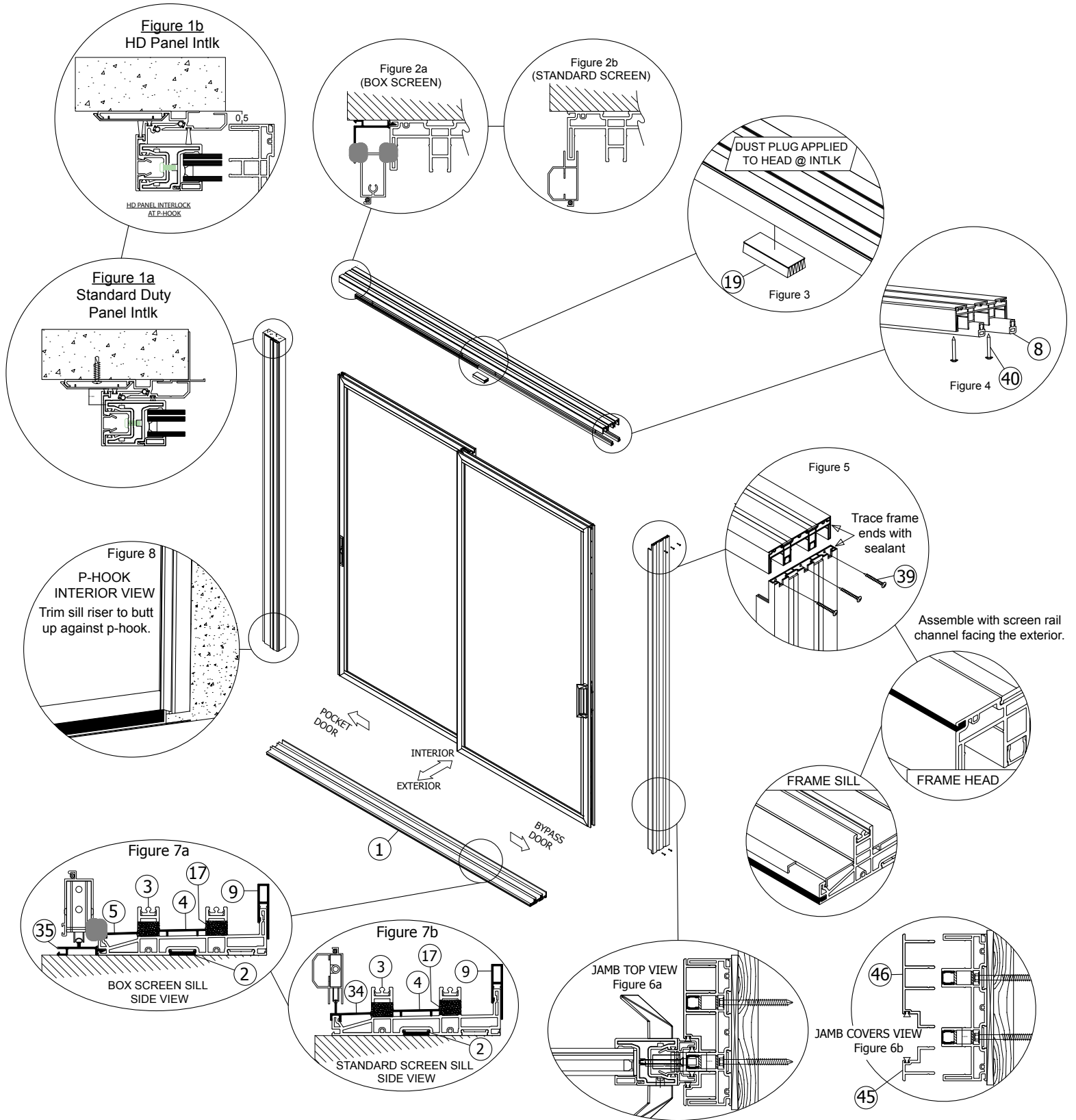
1		MAINFRAME HEAD, SILL, AND JAMBS	1 SET
		Vinyl frame extrusion. Used for the head, sill and jambs.	
2		ANCHOR PLATE	DEPENDENT ON FRAME
		Piece preinstalled into the frame. Adds structure to the frame.	
3		TRACK INSERT	1 PER TRACK
		Aluminum extrusion that is installed into the sill for panels to ride on.	
4		SILL TRACK COVER	DEPENDENT ON FRAME
		Alum/Vinyl cover that rests in the sill between sill tracks.	
5		OUTER SILL COVER	1 PC
		Flat cover piece that snaps into the edge of the sill.	
6		FRAME SCREW COVER	DEPENDENT ON FRAME
		Snap in piece that covers screw holes.	
7		MORTISE LOCK KEEPER	1 PER LOCK
		Allows the operable panel to lock into the mainframe.	
8		FRAME HEADER RAIL	1 Per Track Jamb to Jamb
		Keeps panels in engaged with track. Placed in the mainframe header. Runs from jamb to jamb, sections cut to panel size for installation as needed	
9		2 1/2", 3 1/2", 4 1/16", 4 5/8" SILL RISERS	1 PC (DEP. ON CODE)
		An aluminum extrusion that slips over the back leg of the sill. Used to protect the interior of the home from water damage.	
10		Jamb Filler	QTY 2, DEP. ON CONFIG
		Place at Lock Stiles on innermost or outermost part of frame	
11		2 Track Jamb Cover	QTY 2, DEP. ON CONFIG
		Used to cover 1 Jamb track	
12		3 Track Jamb Cover	QTY 2, DEP. ON CONFIG
		Used to cover 2 Jamb tracks	
13		4 Track Jamb Cover	QTY 2, DEP. ON CONFIG
		Use with Jamb Cover 3 to cover 4th track	
14		90° CORNER ASTRAGAL COVER	90° CORNER
		Alum. extrusion used to cover the panel astragal in corner doors.	
15		OPTIONAL P-HOOK ADAPTOR	1 PC (IF POCKET)
		Extrusion that is adhered to the wall to install a p-hook in a pocket door.	
16		P-HOOK	1 PC (IF POCKET)
		Piece used to install a pocket door into an opening. Interlocks to panel.	

17		OPEN CELL FOAM PAD	4 PER KIT
		Placed in gaps between the sill and jamb in the corners of the frame.	
18		LOW PILE DUST PLUG - .75w x .250 Pile x .8 L	2 PER PANEL, 1 AT EACH END OF RAIL
		Used on the Panel, Located at each end of Top Rail	
19		HIGH PILE DUST PLUG - 1.5w x .750 Pile x 4 L	1 PER INTERLOCK
		Used on the mainframe at top of every interlock connection.	
20a		ROUND HOLE PLUG	DEP. ON CONFIG
		$\frac{7}{16}$ " Round plug for access holes to roller fasteners, header rails, and fixed panel.	
20b		ROUND HOLE PLUG	DEP. ON CONFIG
		$\frac{1}{2}$ " Round Plug used for sill anchorage holes.	
21		BUMPER STOP	2 PER PANEL
		Vinyl extrusion used to prevent panel contact and protect handle hardware. (BASED ON CONFIGURATION)	
22		HANDLE SET (INCLUDING SCREWS)	1 SET
		Interior handle with thumb turn and exterior handle with keylock including assembly screws.	
23		RECESSED LOCK HARDWARE	1 SET (DEPENDING ON CHOICE)
		Recessed locking hardware. Contains the lock components which assist the keeper in locking the panel to the jamb.	
24		MORTISE LOCK HARDWARE	1 SET PER LOCK
		Mortise locking hardware. Contains the lock components which assist the keeper in locking the panel to the jamb.	
25		Handle Gasket	4 PER HANDLE SET
		Cork gasket used between the handle and the panel stile	
26		PANEL COME-A-LONG AND COVER	1 PER X PANEL
		Injection molded piece used on the top of operable panels.	
27		ADD ON NAIL FIN	1 SET (DEP. ON CHOICE)
		Nail fin that slides into mainframe head and jambs.	

28		STANDARD SCREEN	DEP. ON CONFIG
		Complete Standard Screen panel.	
29		BOX SCREEN	DEP. ON CONFIG
		Complete Box Screen panel.	
30		SCREEN KEEPER	1 PC PER LOCKING BOX SCREEN
		The screen keeper is used with the standard panel pull on the box screen. Allows the screen to lock into the jamb.	
31		SCREEN LOCK KEEPER SPACERS	1 PER KEEPER
		Shim used to raise screen keeper off of frame for additional adjustment.	
32		STANDARD SCREEN KEEPER	1 PC PER LOCKING STD SCREEN
		The screen keeper is used with the standard panel pull. Allows the screen to lock into the jamb.	
33a	 NOTE: Standard screen shown	OXO STD SCREEN ASTRAGAL ADAPTOR	DEP. ON CONFIG
		Standard Screen adaptor added to panel astragal base when there are screens added to the unit.	
33b		OXO BOX SCREEN ASTRAGAL ADAPTOR	DEP. ON CONFIG
		Box Screen Adaptor added to panel astragal base when there are screens added to the unit.	
34		(STANDARD SCREEN) FRAME SILL SCREEN ADD ON	1 PC
		Additional piece that can be added to the sill to allow for installation of a standard screen.	
35		(BOX SCREEN) FRAME SILL ADD ON	1 PC PER SCREEN
		Additional piece that can be added to the sill to allow for installation of a box screen.	
36		(BOX SCREEN) HEAD/JAMB ADD ON	1 PC PER SCREEN
		Additional piece that can be added to the head to allow for installation of a box screen.	

37		KEEPER NUT FOR 90° CORNER #10-32 Lock nut w/ nylon grip	
		Nut used w/ 10-32 screw to attach Keepers at 90° Corner door	
38		KEEPER SCREW FOR 90° CORNER #10-32 x 1" Flat Head Screw	4 PER KEEPER
		Screw and Nylon nut used attach Keepers at 90° Corner door	
39		FRAME ASSEMBLY SCREW - #8 x 1" LONG PHILLIPS PAN HEAD	16 PER BAG
		Screw used to assemble the mainframe.	
40		HEADER RAIL SCREW - #12 x 1-3/4" LONG PHILLIPS PAN HEAD	2 PER HEAD RAIL EXTRUSION
		Screw used to install the header blocks to the mainframe.	
41		KEEPER SCREW - #10 x (SIZE VARIES)" PHILLIPS FLAT HEAD	4 PER KEEPER
		Screw used to install the keeper into the mainframe jamb.	
42		LOCK HANDLE SCREW - #10-32 x (SIZE VARIES)" OVAL	2 PER HANDLE
		Screw used to install the locking handle to the panel.	
43		STANDARD SCREEN KEEPER SCREW - #6 x 1" LONG PHILLIPS PAN HEAD	2 PER KEEPER
		Screw used to attach the screen keeper to the jamb(s).	
44		BOX SCREEN KEEPER SCREW - #10 x 1" LONG PHILLIPS PAN HEAD TEK	2 PER KEEPER
		Screw used to attach the screen keeper to the jamb(s).	
45		COME-A-LONG SCREW - #10 x 3/4" LONG PHIL PAN HEAD F-TIP	2 PER COME-A-LONG
		Screw used to install the panel come-a-long.	
46		BUMPER STOP SCREW - #6 x 1 1/4" LONG PHILLIPS FLAT HEAD TEK (BASED ON CONFIGURATION)	2 PER BUMPER STOP
		Screw used to install bumper stop.	

# Frame Exploded View



# Panel Exploded View

Figure 9

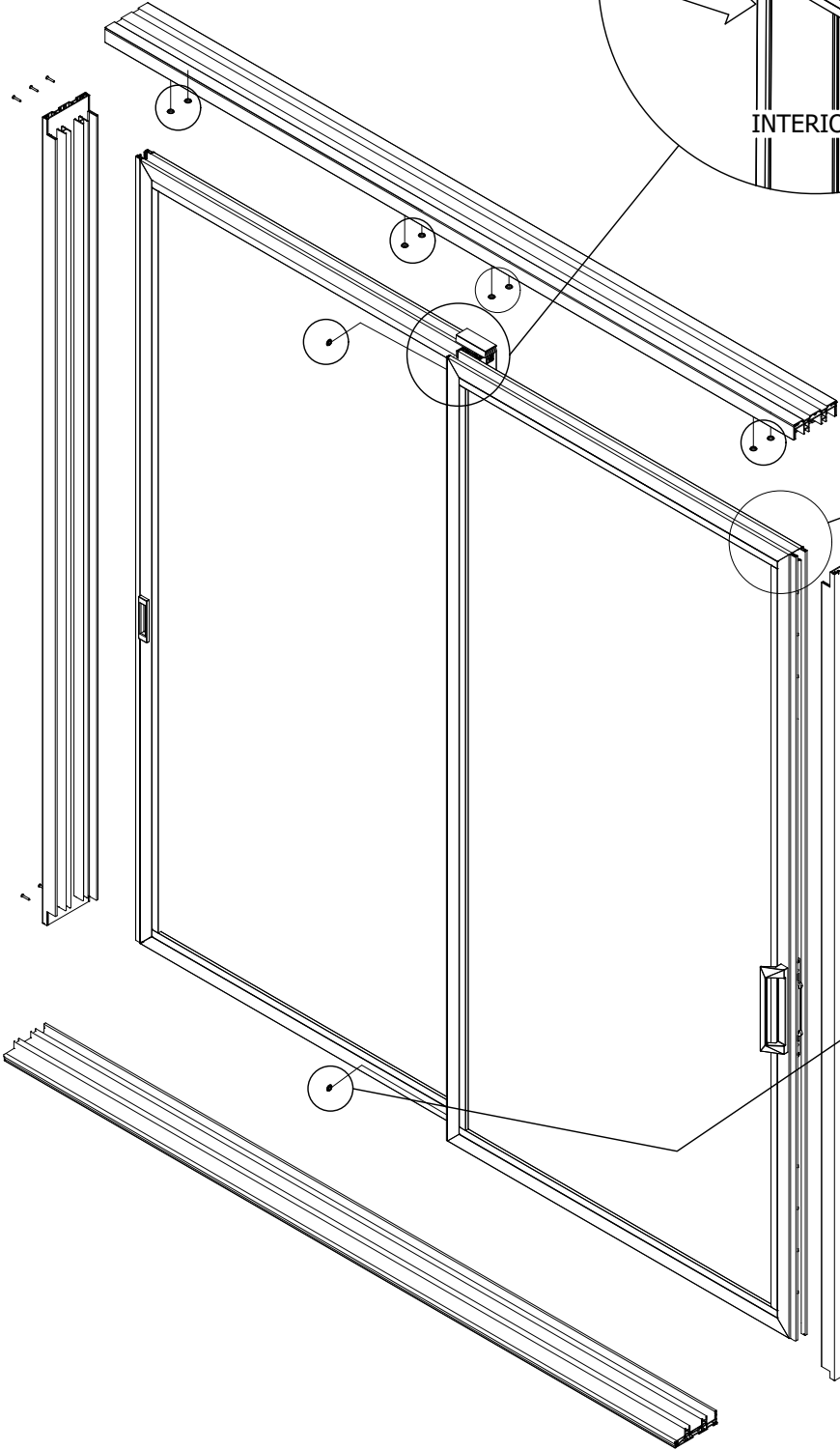
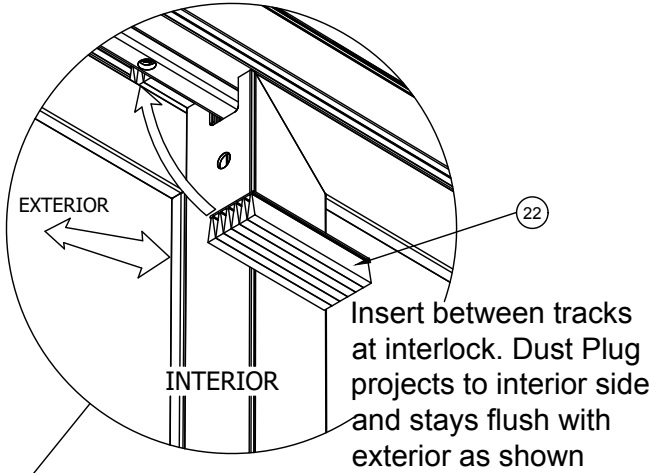


Figure 10

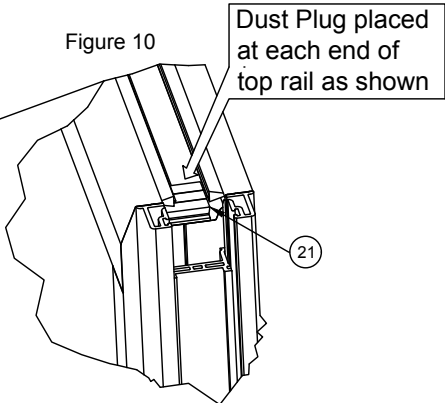
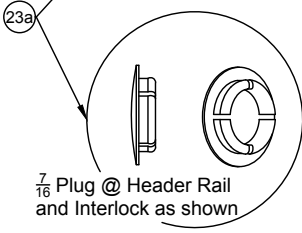
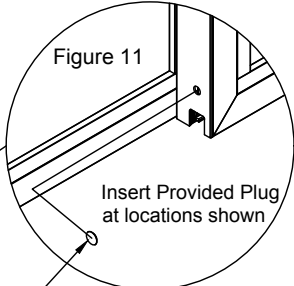


Figure 11



# Hardware Exploded View

Figure 12

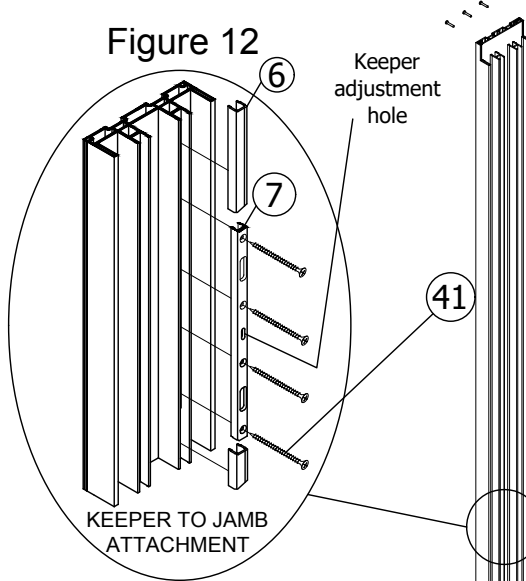


Figure 13

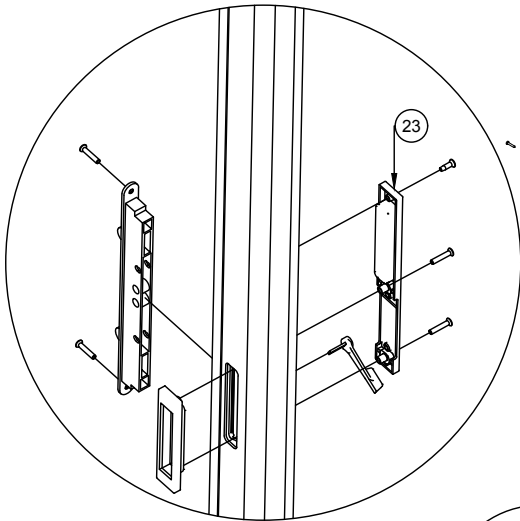


Figure 14

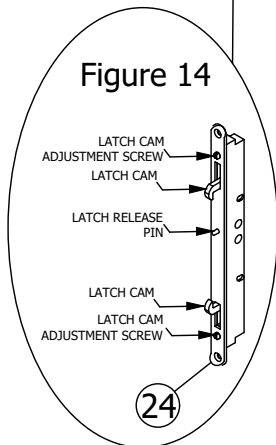
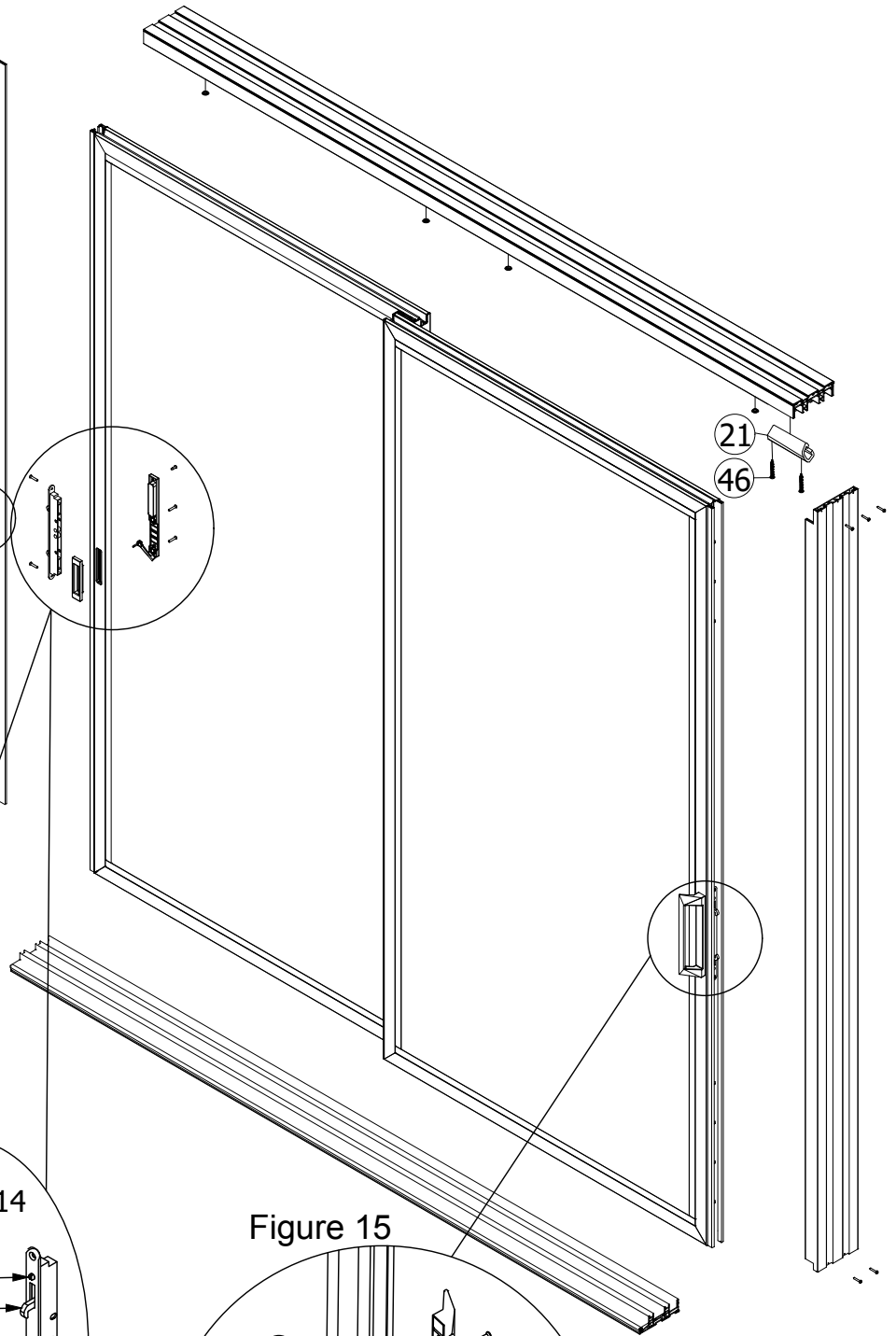
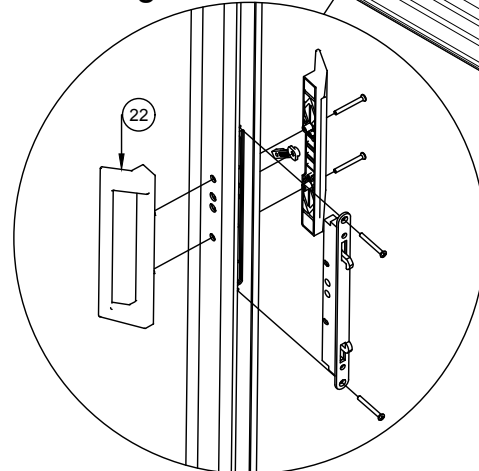


Figure 15





# NOTICE

CAREFULLY FOLLOWING THE INSTRUCTIONS IN THE PROPER SEQUENCE WILL REDUCE MISTAKES AND SAVE TIME.

- A Parts List is provided at the front of this document for quick reference. Inspect the product and take inventory of all parts and pieces prior to installation. (ex. screws, frame, panel, etc.)
- Exploded View Reference(s) at the front of this document act as a reference for general location of parts and depict figures that are referenced when following steps outlined in these instructions.
- Carefully review these assembly instructions along with installation details contained in the AAMA Specifications, Miami-Dade Notice of Approval, or test reports, including anchorage information, if applicable.

## SECTION 1: FRAME ASSEMBLY: BY-PASS AND POCKET DOOR

*Refer to Frame Exploded View for Figures 1 - 8.*

1. Locate the frame sill (Item 1) and the sill track inserts (Item 3; Figure 16). Set the assembly on a flat, supported surface and install track inserts by sliding them in through the ends of the frame sill.
2. Locate the frame jambs. If an add-on fin (Item 27) needs to be installed, locate the fin(s) and remove the frame jamb anchor plates (Item 2; Figure 17) closest to the exterior of the opening. Install the add-on fins in place of the anchor plates. Slide the fin into the frame head.
3. **If a by-pass door**, locate the sill riser (Item 9). Line the riser up with the frame sill and apply a small bead of sealant along the top of the frame sill (Figure 8). Secure the riser with a rubber mallet, ensuring it snaps into place.

**If a pocket door**, attach the sill riser after the frame assembly and installation are completed. See step 8.

4. Trace the ends of the frame head, sill, and jambs with sealant (Figure 5).

5. **If by-pass or single pocket door**, assemble frame head, jamb(s), and sill using the supplied screw (Item 39) at each assembly hole making sure the screen rail channel is facing the exterior. Cover the outside corners with sealant after complete frame assembly.

**Jamb covers/Screw Covers:** Install Jamb Covers (Items 10-13) until resting flush against jambs. Cut Screw cover (Item 6) to fit in Lock stile track above and below keeper (Figure 18).

**If a double pocket door**, there will be no frame jambs to install into the opening. Install the frame head and sill plumb, level, and square to the opening.

6. Seal under entire length and width of frame, including the seams where the frame sill and head meet the jambs. Set the assembled frame into the opening and shim as necessary to make the entire frame plumb, level, and square.

**Helpful Tip:** Use a short torpedo level and balance it across the frame sill to verify the sill is level from inside to outside (Figure 17). Use a plumb bob to make sure the frame head is in alignment with the sill. If the tracks at the frame sill and head are not aligned, panels may not roll correctly.

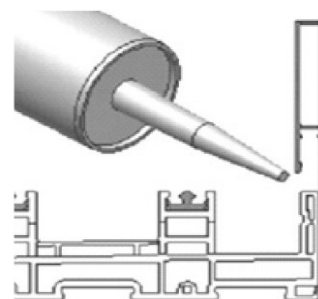


Figure 16

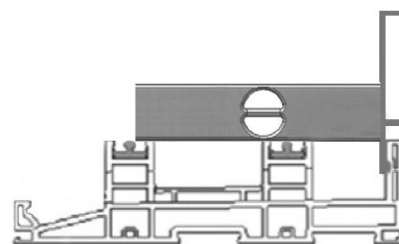


Figure 17

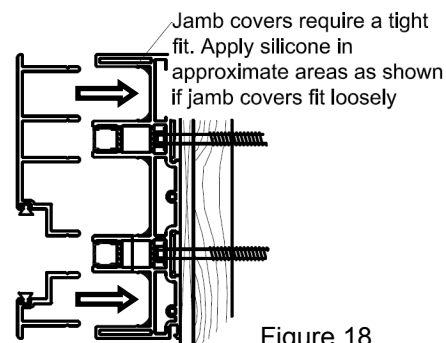


Figure 18

**7. By-pass doors, skip to Step 9; Pocket Doors Only:** Seal under entire length of P-hook (Item 16) and position it on the wall at the pocket opening aligning the notches with the frame head and sill (Figure 18a). The edge of the P-hook should align with the edge of the wall (Figure 18b).

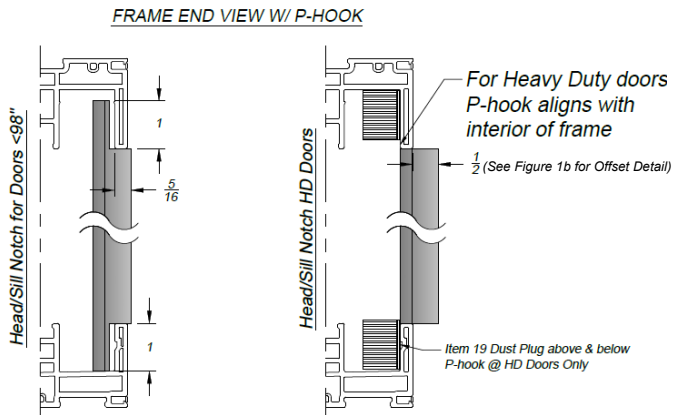


Figure 18a

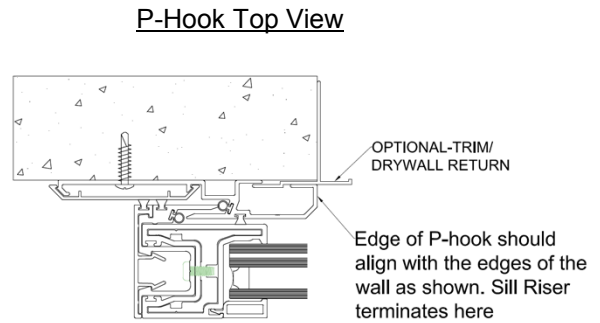


Figure 18b

**8.** The sill riser will require trimming in order to butt up against the P-hook (Figure 18b). Line the sill riser up with the frame sill and apply a small bead of sealant to the top of the sill (Figure 16). Secure the sill riser into place with a rubber mallet, ensuring it snaps into place.

**9.** Attach frame to opening, including P-hook, if applicable (Figure 1), in compliance with local code requirements, AAMA specifications, Miami-Dade NOA, FPA, or test reports. Do **not** over tighten installation screws. This can cause frame distortion.

**10.** Verify the frame is still plumb in opening, then seal outside perimeter of the frame (including P-hook, if applicable) and all screws, including all seams and corners (Figure 19).

**11.** Cover anchor holes in the frame sill with provided 1/2" round hole plugs (Item 23b) and seal. Clean excess sealant from around plugs. Finish by installing open cell foam pads (Item 17) in sill ends (Figure 7a for Box Screen and Figure 7b for Standard Screen).

**NOTE:** Securely store frame track and screw cover(s) until passing inspection. Refer to Section 7 for installation instruction.

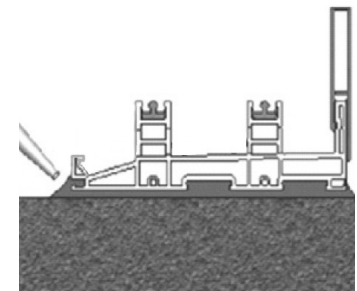


Figure 19

## SECTION 2: PANEL INSTALLATION

Refer to *Panel Exploded View* for Figures 9 - 11.

Refer to *Panel Installation Chart* at the end of these instructions to ensure correct panel placement.

See *Section 7* for Header Rail Placement instructions.

**12.** Verify placement of low pile dust plugs at each end of the top rail for each panel (Item 18, Figure 10)

**13.** Install high pile dust plugs (Item 19) flush with exterior interlock (Figure 9), with the excess pile projecting to the interior.

**14.** Locate the shipping label on all panels and identify the panel number (Figure 20).

**IMPORTANT:** Placing the panels into the frame in the proper order is required to ensure proper function and eliminate errors and damage. Identify your product configuration in the Panel Installation Chart and install the panels in the order, and position indicated.

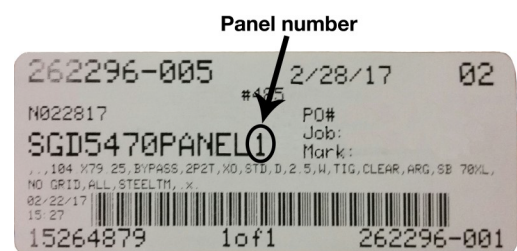


Figure 20

15. Locate the roller adjustment Hex Head. Hex head is located just above the track in the rectangular cutout. 5/32 hex head required for adjustment. (Figure 22).  
Caution: Circular hole in panel is for roller removal.

16. Install panels by inserting the top of the panel into the frame head and swinging the bottom of the panel into the frame sill (Figure 21).

17. Adjust the panel wheel height using a 5/32" Ball End Hex Wrench (Figure 22). In order to raise the panels, turn the screw clockwise and to lower the panels, turn the screw counter-clockwise.



Figure 21

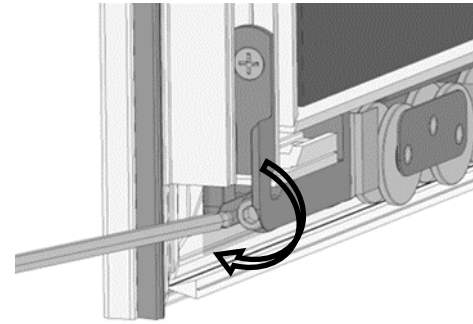


Figure 22

**IMPORTANT:** When raising the wheels, lift the side of the panel to relieve the wheels of the panel weight.

**WARNING:** Do not continue wheel adjustment if there is any pressure on the screw because it may strip the adjustment screw. Adjust each wheel until all panels can roll freely and all panel stiles and frame jambs are parallel when closed.

18. Once all panels are in position and have been properly adjusted, install header rails (section 7) and check for proper panel operation. Verify 7/16" round hole plugs (Item 20a) are installed in the roller reinforcement access holes (Figure 11). Hardware is now ready to be installed.

## SECTION 3: HARDWARE

*Refer to Hardware Exploded View for Figures 12 - 15.*

**WARNING:** Install the locking hardware **before** attaching any fixed panel hardware.

### Handle Set Installation

19. Align the thumb latch of the interior handle (Item 19) into the mortise assembly slot (Figure 15). If a recessed lock (Item 23, Figure 13) is being installed, the thumb turn piece is connected to the handle-set and should be inserted into the groove as well.

20. Attach handles using the longer set of supplied screws (Item 42) and handle gaskets (Item 25), placing gasket between the handle and the panel stiles.

**IMPORTANT:** The latch may not be operated unless the latch release pin (located between the two latch cams) is depressed (Figure 22).

### Keeper Installation

21. Engage the lock with the keeper. Measure from the top of the sill track to the bottom of the keeper. Take out the keeper and use this distance to install the keeper into the frame jamb, using a screw (Item 41) in the slotted adjustment hole (Figure 12).

22. Adjust the keeper up or down until the latch is operable. Verify that the lock is fully functional.

**Helpful Tip:** There are adjustments on the mortise lock to move each cam separately. Adjust tolerance on the cams in order to maximize bite with the keeper (Figure 14).

23. Attach the keeper to the frame jamb using four screws (Item 41).

## SECTION 4: FIXED PANEL HARDWARE

**24.** For Fixed Panel Installation, install the keeper in the same fashion as an operable door.

**25.** Lock the operating panel to the jamb with the mortise lock cams adjusted all the way in by using a flat head to engage the lock. Readjust the cams for tolerance, if necessary (Figure 14). Plug access hole using 7/16" Hole Plug (Item 20a)

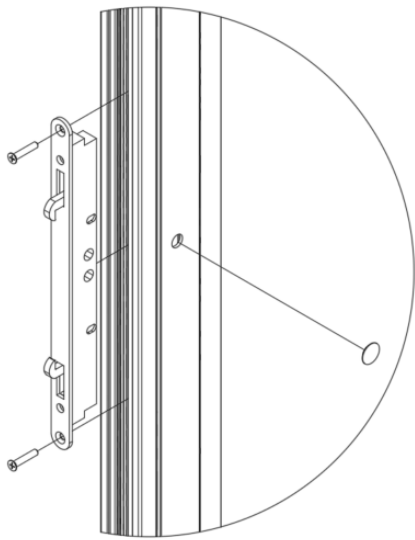


Figure 23a

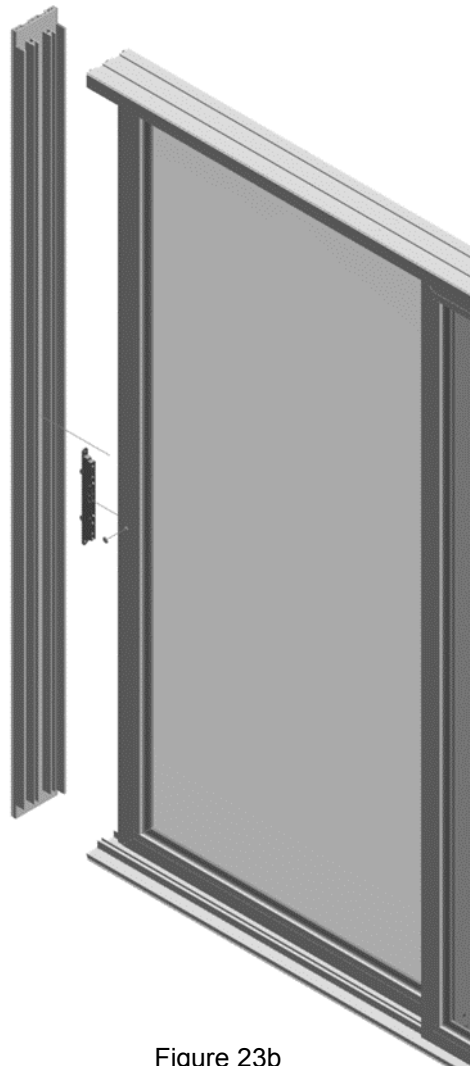


Figure 23b

## SECTION 5: SCREEN INSTALLATION

*Refer to Frame Exploded View for Figures 1 - 8.*

If the unit does not contain screens, skip to Section 6.

### Section 5.1: Screen Frame Installation (Box Screen)

**26.** Install the outer sill cover (Item 5) into the frame sill (Figure 7a).

**27.** Locate the box screen frame add-ons (Items 35 and 36) and snap into the frame accessory grooves (Figure 2a & Figure 7a).

**28.** Shim as needed to ensure the add-on box screen frame is plumb, level, and square.

**29.** Seal along the entire length of the box screen frame and all seams. Add a small amount of sealant where the screen frame and mainframe meet.

## Section 5.2: Screen Panel Installation (Box Screen)

33. Box screen panels have different components based on configuration. Identify correct screen panel placement using Figure 24.

34. Identify the exterior of the box screen panel prior to installation.

35. Install box screen panels by inserting the top of the panel into the frame head (Figure 2a) and swinging the bottom of the panel into the frame sill (Figure 7a).

36. Adjust the screen panel roller height using a Philips head screwdriver. In order to raise the screen panels, turn the screw clockwise and to lower

37. The box screen keeper (Item 30) must be installed with the screen spacer (Item 31; Figure 25). Attach the keeper using two screws (Item 44).

38. If the door unit is an **OXO configuration**, then the screen astragal and screen astragal adapter also need to be installed. See Section 6.2 for instructions.

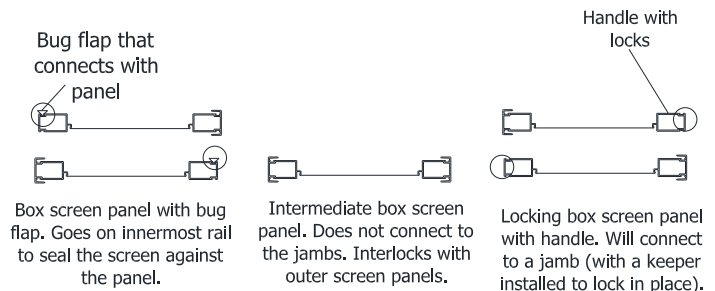


Figure 24

## Section 5.3: Screen Frame Installation (Standard Screen)

39. Locate the frame sill standard screen add-on (Item 34). Install in the outer track of the frame sill (Figure 7b).

## Section 5.4: Screen Panel Installation (Standard Screen)

40. Install the standard screen panel by inserting the top of the panel into the frame head (Figure 2b) and swinging the bottom of the panel into the frame sill (Figure 7b).

41. Adjust the screen panel roller height using a Philips head screwdriver in the roller adjustment holes located on the top and bottom sides of the screen panel. In order to raise the screen panels, turn the screw clockwise and to lower the panels, turn the screw counter-clockwise.

42. Attach the screen keeper (Item 32) to the jamb using two screws (Item 43; Figure 26a and 26b). Do not install Jamb cover where screen engages with jamb. Install screen keeper so that the adjusted screen engages the lock.

43. If the door unit is an **OXO configuration**, then the screen astragal and screen astragal adapter also need to be installed. See Section 6.2 for instructions.

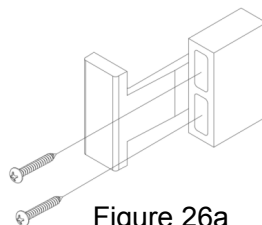


Figure 26a

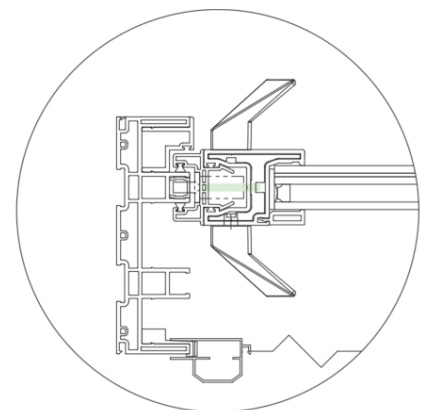


Figure 26b

## SECTION 6: PARTS AND PIECES

After all previous steps have been completed and verified and the unit operates correctly, the final parts and pieces can be added.

### Section 6.1: Panel Come-Alongs

**NOTE:** If the unit is a **multi-panel**, **multi-track**, or **pocket door**, it may be necessary to install panel come-alongs. This allows the door to open without having to move each panel individually, and keeps the panels from hitting the interlocks, or making contact with the handle hardware.

**44.** Pre-drill two 5/32" (0.156") pilot holes on the inside of each operable panel 5-1/4" in from the right side of the panel and 9/16" down from the top of the panel to the edges of the come-along base (Figure 27). Attach the panel come-along (Item 26) using two screws (Item 45). Snap the panel come-along cover over the come-along base.

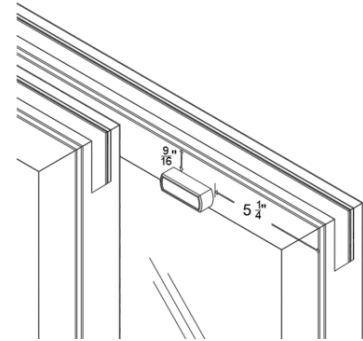


Figure 27

**WARNING:** Do not install panel come-alongs in any other area than shown in Figure 28; doing so could cause damage to the frame or glass. Using longer screws can cause interference or operational problems.

### Section 6.2: OXO Screen Astragal Adapter

If the unit **has screens and is an OXO configuration**, then the screen astragal and screen astragal adapter will need to be installed. Locate the OXO adapter (Item 33a or 33b).

**45.** Pre-drill 11/64" (0.171") pilot holes so that the astragal adapter (Item 33) attaches to the astragal as shown. Use five screws (Item 46) to install the adaptor. Alternatively, apply tape to the OXO Adapter. When installing Box Adapter (Figure 28b) be sure Screen Astragal is pre-installed on the OXO Adapter before applying to door. Joint Sealant may be applied as shown below in Figure 28b. Once installed, latch keepers may be installed and adjusted for alignment with the screen latch (Figures 28a and 28b).

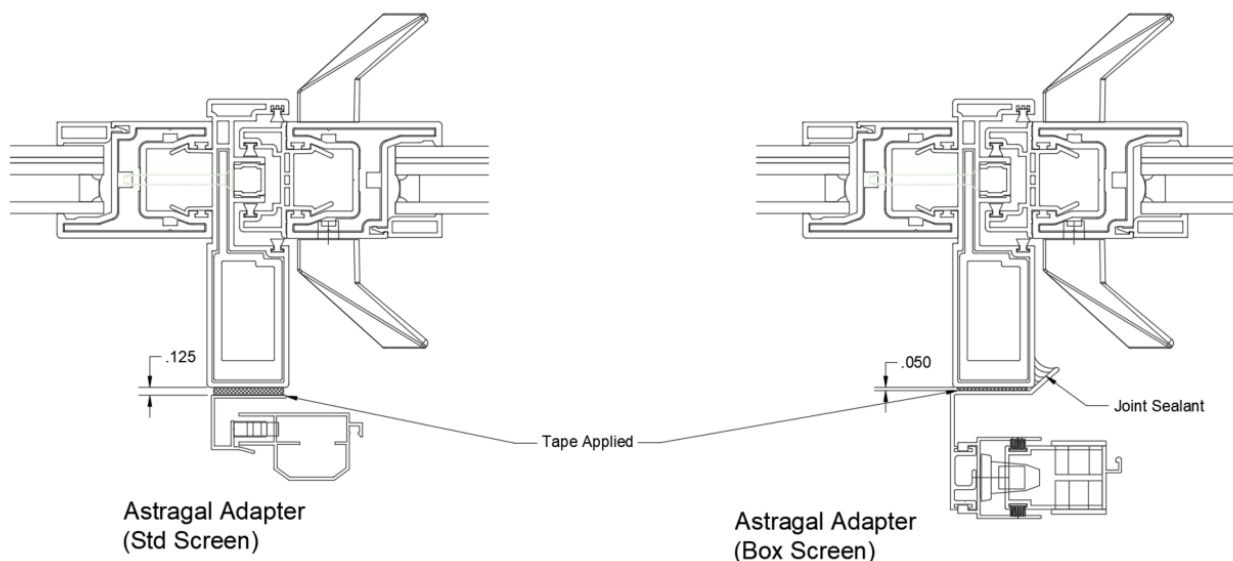


Figure 28a

Figure 28b

## SECTION 7: AFTER PASSING INSPECTION

Refer to *Frame Exploded View for Figures 1 - 8* and *Hardware Exploded View for Figures 12 - 15*.

**IMPORTANT:** Panels must be in place before performing steps in this section.

### Section 7.1: Frame Mid Sill Track Cover(s) & P-Hook Interlock Cap

**46.** Locate and install the frame mid sill track cover(s) (Item 4; Figure 7a for Box Screen and Figure 7b for Standard Screen).

### Section 7.2: Frame Header Rail:

**Caution:** Do not fasten header rails until all Rails are in place.

**47.** Panels must be installed into designated tracks prior to installing Full-Length Header Rails (Figures 29a and 29b)

**48.** Install Rail cut to panel size(s) first so that Panel can be in default position while remainder of the rail(s) are installed

**49.** Tap Rail on end closest to Jamb, if needed, tap along the rail as shown from one end to the other to allow the rail to fully seat

**50.** If necessary, tap end of rail as shown lightly to fully seat against jamb cover.

**51.** Once full track is installed, Fasten with #12 x 1.75 screws to secure rail (Item 40).

**52.** Repeat steps 47-51 until all Header Rails are installed.

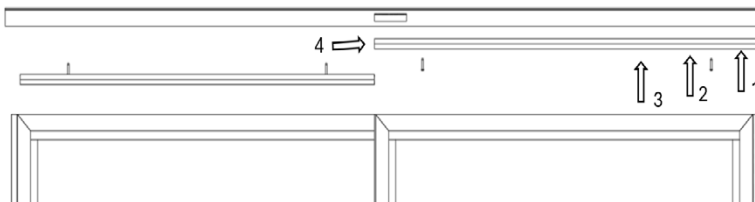


Figure 29a

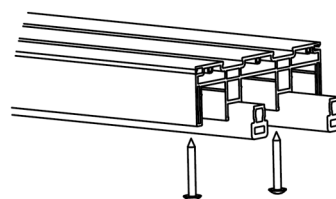


Figure 29b

### Section 7.3: Panel Bumpers

For operable panels only.

**53.** Install the panel bumper (Item 21) using two screws (Item 46) through the center of the bumper at 1/4" from each end (Figure 30).

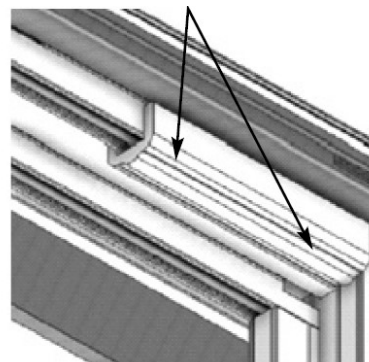


Figure 30

# Corner Door Addendum

## Frame Assembly

**IMPORTANT:** The frame and sill risers are pre-mitered and need to be aligned precisely so each frame meets with no gaps.

1. Determine whether the unit is an outside or inside corner using the sill riser as a guide and verify that the frame is facing the correct exterior direction. The sill riser will always remain facing the interior of the opening (Figure 31).

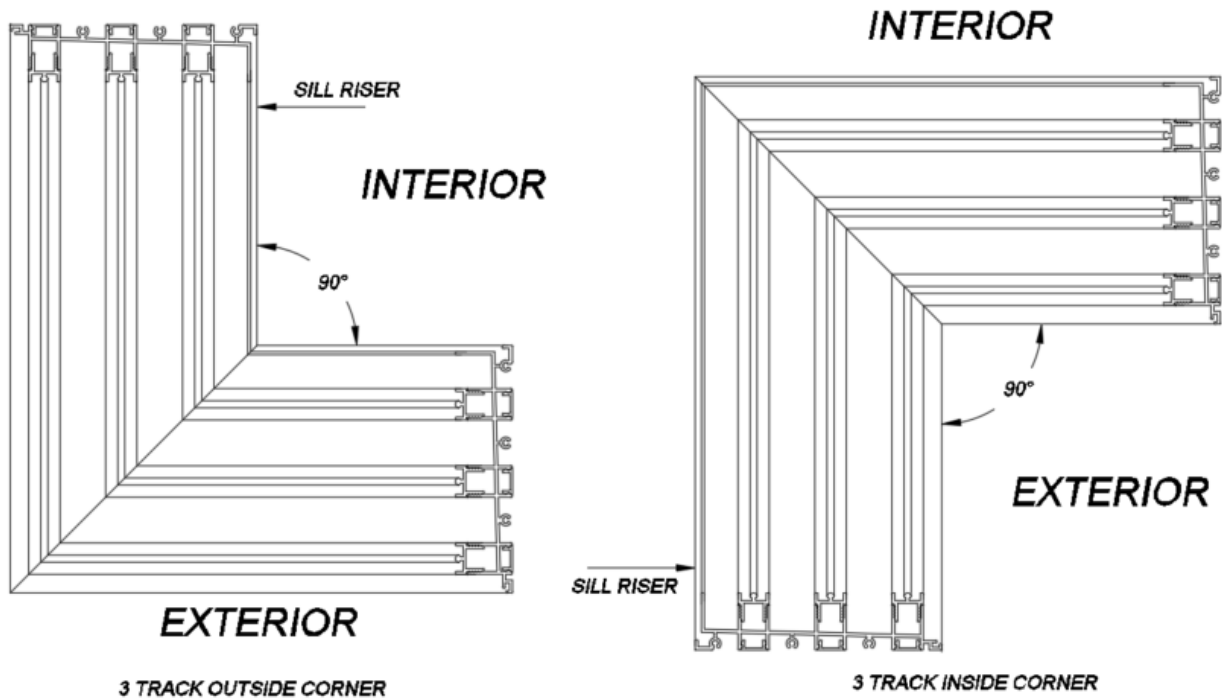


Figure 31

2. Ensure the frame placement is exact and plumb. Follow frame instruction in Section 1.

## Panel Astragal Cover

3. When panels are ready to be installed, locate the corner astragal panel and the separately packaged astragal cover (Item 14). Align the cover with the bottom of the astragal and snap into place (Figure 32). Verify the cover is aligned with the top and bottom of the astragal.

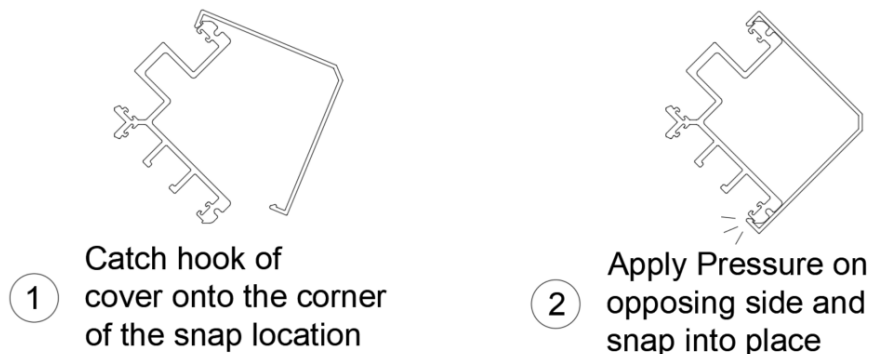


Figure 32





Custom Windows and Doors

PGTWINDOWS.COM | NORTH VENICE, FL

©2024 PGT CUSTOM WINDOWS + DOORS

08/2024 ME010 0200NS