



DEPARTMENT OF REGULATORY AND ECONOMIC RESOURCES (RER)
BOARD AND CODE ADMINISTRATION DIVISION

MIAMI-DADE COUNTY
PRODUCT CONTROL SECTION

11805 SW 26 Street, Room 208
T (786) 315-2590 F (786) 315-2599

www.miamidade.gov/economy

NOTICE OF ACCEPTANCE (NOA)

PGT Industries, Inc.
1070 Technology Drive
North Venice, FL 34275

SCOPE:

This NOA is being issued under the applicable rules and regulations governing the use of construction materials. The documentation submitted has been reviewed and accepted by Miami-Dade County RER - Product Control Section to be used in Miami Dade County and other areas where allowed by the Authority Having Jurisdiction (AHJ).

This NOA shall not be valid after the expiration date stated below. The Miami-Dade County Product Control Section (In Miami-Dade County) and/or the AHJ (in areas other than Miami-Dade County) reserve the right to have this product or material tested for quality assurance purposes. If this product or material fails to perform in the accepted manner, the manufacturer will incur the expense of such testing and the AHJ may immediately revoke, modify, or suspend the use of such product or material within their jurisdiction. RER reserves the right to revoke this acceptance, if it is determined by Miami-Dade County Product Control Section that this product or material fails to meet the requirements of the applicable building code.

This product is approved as described herein, and has been designed to comply with the Florida Building Code, including the High Velocity Hurricane Zone.-

DESCRIPTION: Series "SH-800" Aluminum Single Hung Window – S.M.I.

APPROVAL DOCUMENT: Drawing No. MD-SH800SM-01, titled "SH Window – Small Missile", sheets 1 through 8 of 8, dated 11/11/11, with revision B dated 05/15/16, prepared by manufacturer, signed and sealed by A. Lynn Miller, P.E., bearing the Miami-Dade County Product Control Revision stamp with the Notice of Acceptance number and expiration date by the Miami-Dade County Product Control Section.

MISSILE IMPACT RATING: Small Missile Impact Resistant.

LABELING: Each unit shall bear a permanent label with the manufacturer's name or logo, city, state, model/series, and following statement: "Miami-Dade County Product Control Approved", unless otherwise noted herein.

RENEWAL of this NOA shall be considered after a renewal application has been filed and there has been no change in the applicable building code negatively affecting the performance of this product.

TERMINATION of this NOA will occur after the expiration date or if there has been a revision or change in the materials, use, and/or manufacture of the product or process. Misuse of this NOA as an endorsement of any product, for sales, advertising or any other purposes shall automatically terminate this NOA. Failure to comply with any section of this NOA shall be cause for termination and removal of NOA.

ADVERTISEMENT: The NOA number preceded by the words Miami-Dade County, Florida, and followed by the expiration date may be displayed in advertising literature. If any portion of the NOA is displayed, then it shall be done in its entirety.

INSPECTION: A copy of this entire NOA shall be provided to the user by the manufacturer or its distributors and shall be available for inspection at the job site at the request of the Building Official.

This NOA **revises and renews** NOA# 15-0609.03 and consists of this page 1 and evidence pages E-1 and E-2, as well as approval document mentioned above.

The submitted documentation was reviewed by **Manuel Perez, P.E.**



MP
8/10/16

NOA No. 16-0714.02
Expiration Date: May 03, 2022
Approval Date: August 18, 2016
Page 1

NOTICE OF ACCEPTANCE: EVIDENCE SUBMITTED

A. DRAWINGS

1. Manufacturer's die drawings and sections.
(Submitted under NOA No. 11-1222.05)
2. Drawing No. **MD-SH800SM-01**, titled "SH Window – Large Missile", sheets 1 through 8 of 8, dated 11/11/11, with revision B dated 05/15/16, prepared by manufacturer, signed and sealed by Anthony Lynn Miller, P.E.

B. TESTS

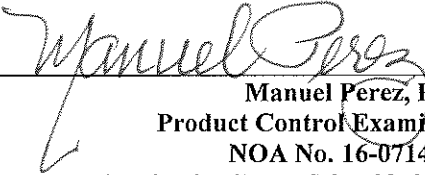
1. Test reports on: 1) Uniform Static Air Pressure Test, Loading per FBC, TAS 202-94
2) Large Missile Impact Test per FBC, TAS 201-94
3) Cyclic Wind Pressure Loading per FBC, TAS 203-94
along with marked-up drawings and installation diagram of a PVC sliding glass door, a PVC fixed window and an aluminum sliding glass door, using: Kodispace 4SG TPS spacer system, Duraseal® spacer system, Super Spacer® NXT™ spacer system and XL Edge™ spacer system at insulated glass, prepared by Fenestration Testing Laboratory, Inc., Test Reports No. **FTL-8717**, **FTL-8968** and **FTL-8970**, dated 11/16/15, 06/07/16 and 06/02/16 respectively, all signed and sealed by Idalmis Ortega, P.E.
2. Test reports on: 1) Air Infiltration Test, per FBC, TAS 202-94
2) Uniform Static Air Pressure Test, Loading per FBC, TAS 202-94
3) Water Resistance Test, per FBC, TAS 202-94
4) Small Missile Impact Test per FBC, TAS 201-94
5) Cyclic Wind Pressure Loading per FBC, TAS 203-94
6) Forced Entry Test, per FBC 2411.3.2.1, and TAS 202-94
along with marked-up drawings and installation diagram of an aluminum single hung window, prepared by Fenestration Testing Laboratory, Inc., Test Report No. **FTL-6642**, dated 10/03/11, signed and sealed by Marlin D. Brinson, P.E.
(Submitted under NOA No. 11-1222.05)

C. CALCULATIONS

1. Anchor verification calculations and structural analysis, complying with **FBC-5th Edition (2014)**, dated 05/29/15, prepared by manufacturer, signed and sealed by Anthony Lynn Miller, P.E.
(Submitted under previous NOA No. 15-0609.03)
2. Glazing complies with **ASTM E1300-04**

D. QUALITY ASSURANCE

1. Miami-Dade Department of Regulatory and Economic Resources (RER).


Manuel Perez, P.E.
Product Control Examiner
NOA No. 16-0714.02
Expiration Date: May 03, 2022
Approval Date: August 18, 2016

PGT Industries, Inc.

NOTICE OF ACCEPTANCE: EVIDENCE SUBMITTED

E. MATERIAL CERTIFICATIONS

1. Notice of Acceptance No. **14-0916.10** issued to **Kuraray America, Inc.** for their “**Butacite® PVB Glass Interlayer**” dated 04/25/15, expiring on 12/11/16.

F. STATEMENTS

1. Statement letter of conformance, complying with **FBC-5th Edition (2014)**, dated May 29, 2015, issued by manufacturer, signed and sealed by Anthony Lynn Miller, P.E. *(Submitted under previous NOA No. 15-0609.03)*
2. Statement letter of no financial interest, dated May 29, 2015, issued by manufacturer, signed and sealed by Anthony Lynn Miller, P.E. *(Submitted under previous NOA No. 15-0609.03)*
3. Laboratory compliance letter for Test Reports No. **FTL-6642**, issued by Fenestration Testing Laboratory, Inc., dated 10/03/11, signed and sealed by Marlin D. Brinson, P.E. *(Submitted under NOA No. 11-1222.05)*
4. Proposal No. **16-0125** issued by the Product Control Section, dated March 09, 2016, signed by Ishaq Chanda, P.E.

G. OTHERS

1. Notice of Acceptance No. **15-0609.03**, issued to PGT Industries, Inc. for their Series “**SH-800**” Aluminum Single Hung Window - S.M.I.” approved on 08/20/15 and expiring on 05/03/17.



Manuel Perez, P.E.
Product Control Examiner
NOA No. 16-0714.02

Expiration Date: May 03, 2022
Approval Date: August 18, 2016

**GENERAL NOTES: 800 SERIES SMALL MISSILE
IMPACT RESISTANT SINGLE HUNG WINDOW**

1) THIS PRODUCT HAS BEEN DESIGNED & TESTED TO COMPLY WITH THE REQUIREMENTS OF THE FLORIDA BUILDING CODE, INCLUDING THE HIGH VELOCITY HURRICANE ZONE (HVHZ).

2) MIAMI-DADE COUNTY APPROVED SHUTTERS ARE REQUIRED AT INSTALLATIONS BELOW 30 FT (NONE REQUIRED AT INSTALLATIONS ABOVE 30 FT).

3) FOR MASONRY APPLICATIONS IN MIAMI-DADE COUNTY, USE ONLY MIAMI-DADE COUNTY APPROVED MASONRY ANCHORS. MATERIALS USED FOR ANCHOR EVALUATIONS WERE SOUTHERN PINE, ASTM C90 CONCRETE MASONRY UNITS AND CONCRETE WITH MIN. KSI PER ANCHOR TYPE, SEE TABLES 2, 4 OR 6.

4) ALL WOOD BUCKS LESS THAN 1-1/2" THICK ARE TO BE CONSIDERED 1X INSTALLATIONS. 1X WOOD BUCKS ARE OPTIONAL IF UNIT IS INSTALLED DIRECTLY TO SUBSTRATE. WOOD BUCKS DEPICTED AS 2X ARE 1-1/2" THICK OR GREATER. 1X AND 2X BUCKS (WHEN USED) SHALL BE DESIGNED TO PROPERLY TRANSFER LOADS TO THE STRUCTURE. WOOD BUCK DESIGN AND INSTALLATION IS THE RESPONSIBILITY OF THE ENGINEER OR ARCHITECT OF RECORD.

5) ANCHOR EMBEDMENT TO BASE MATERIAL SHALL BE BEYOND WALL DRESSING OR STUCCO. USE ANCHORS OF SUFFICIENT LENGTH AS SPECIFIED ON TABLES 2, 4 OR 6. NARROW JOINT SEALANT IS USED ON ALL FOUR CORNERS OF THE FRAME. OVERALL SEALING/FLASHING STRATEGY FOR WATER RESISTANCE OF INSTALLATION SHALL BE DONE BY OTHERS AND IS BEYOND THE SCOPE OF THESE INSTRUCTIONS.

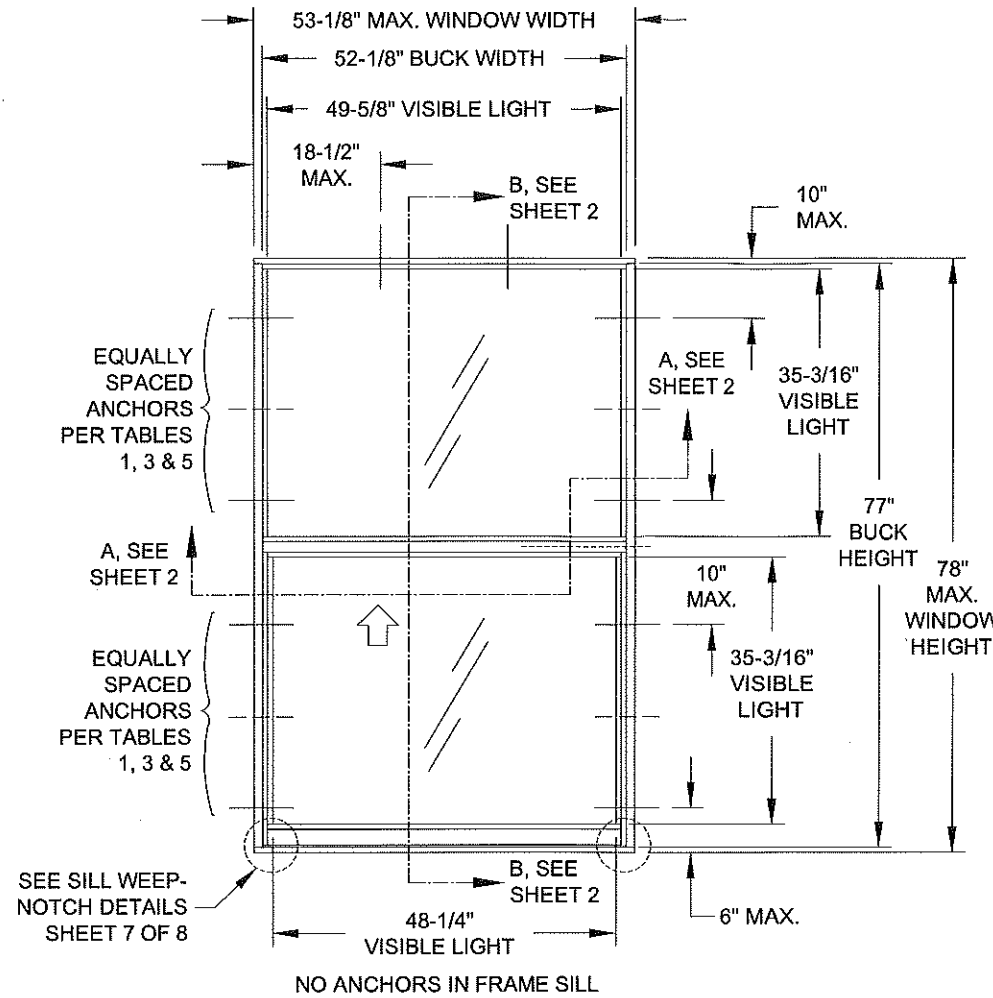
6) 1/4" MAX. SHIMS ARE REQUIRED AT EACH ANCHOR LOCATION WHERE THE PRODUCT IS NOT FLUSH TO THE SUBSTRATE. USE SHIMS CAPABLE OF TRANSFERRING APPLIED LOADS.

7) DESIGN PRESSURES:
A. NEGATIVE DESIGN LOADS BASED ON STRUCTURAL & CYCLE TESTING AND GLASS PER ASTM E1300.
B. POSITIVE DESIGN LOADS BASED ON WATER TEST PRESSURE, STRUCTURAL & CYCLE TESTING AND GLASS PER ASTM E1300.

8) THE ANCHORAGE METHODS SHOWN HAVE BEEN DESIGNED TO RESIST THE WINDLOADS CORRESPONDING TO THE REQUIRED DESIGN PRESSURE. THE 33-1/3% STRESS INCREASE HAS NOT BEEN USED IN THE DESIGN OF THIS PRODUCT. THE 1.6 LOAD DURATION FACTOR WAS USED FOR THE EVALUATION OF ANCHORS INTO WOOD. ANCHORS THAT COME INTO CONTACT WITH OTHER DISSIMILAR MATERIALS SHALL MEET THE REQUIREMENTS OF THE FLORIDA BUILDING CODE FOR CORROSION RESISTANCE.

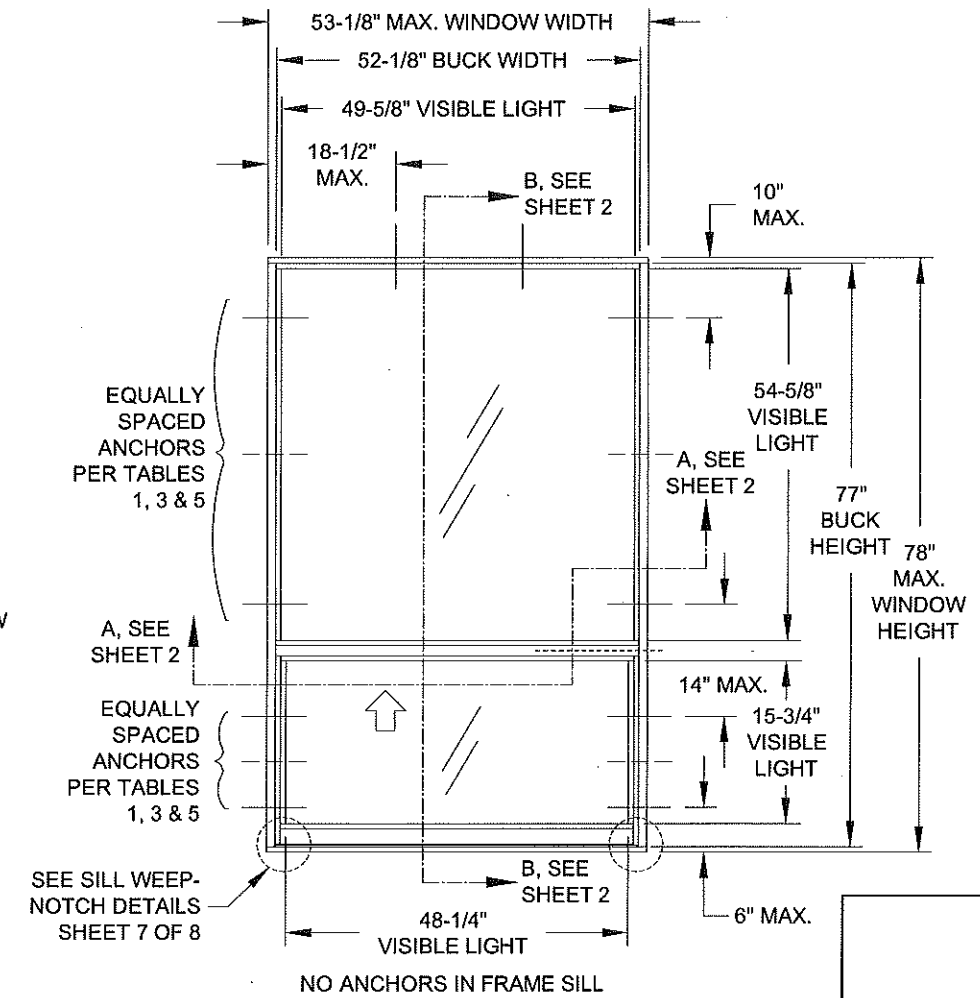
9) REFERENCES: TEST REPORTS FTL-6642; ELCO ULTRACON NOA; ELCO CRETEFLEX NOA; ANSI/AF&PA NDS FOR WOOD CONSTRUCTION AND ADM ALUMINUM DESIGN MANUAL.

DESIGN PRESSURE RATING	IMPACT RATING
+90.0 / -150.0	SMALL MISSILE IMPACT RESISTANT
FOR ALL SIZES, CONFIGURATIONS AND ANCHOR TYPES	



**TYP. EQUAL-LITE
FRAME ELEVATION**

Maximum Anchor Spacing, As tested, Equal-lite	
Header	16.125
Above MR	24.58
Below MR	13.71



**TYP. PROVIEW / ORIEL
FRAME ELEVATION**

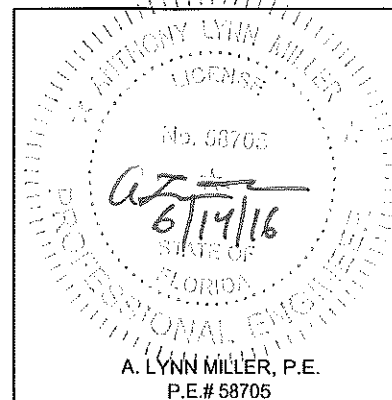
Maximum Anchor Spacing, As tested, ProView	
Header	16.125
Above MR	22.03
Below MR	13.95

SHEET INDEX:

GENERAL NOTES.....	1
ELEVATIONS.....	1
DESIGN PRESSURES.....	1
INSTALLATION.....	2
ANCHOR QUANTITIES A.....	3
ANCHOR QUANTITIES B.....	4
ANCHOR QUANTITIES C.....	5
EXTRUSION PROFILES.....	6
PARTS LIST.....	6
ASSEMBLY DETAILS.....	7
GLAZING DETAILS.....	8

STANDARDS USED:

- 2014 FLORIDA BUILDING CODE (FBC), 5TH EDITION
- ASTM E1300-04
- ANSI/AF&PA NDS-2012 FOR WOOD CONSTRUCTION
- ALUMINUM DESIGN MANUAL, ADM-2010
- AISI-S100-07/S2-2010



1070 TECHNOLOGY DRIVE
N. VENICE, FL 34275
P.O. BOX 1529
NOKOMIS, FL 34274

CERT. OF AUTH. #29296

Revised By: JR	Date: 05/15/16	Revision: B) ADDED SHEET 8
Revised By:	Date:	Revision:

Description:
GENERAL NOTES & ELEVATIONS

Title:
SH WINDOW - SMALL MISSILE

Series/Model: SH-800	Scale: NTS	Sheet: 1 OF 8	Drawing No. MD-SH800SM-01	Rev: B
--------------------------------	----------------------	-------------------------	-------------------------------------	------------------

PRODUCT REVISED
as complying with the Florida
Building Code
Acceptance No **16-0714.02**
Expiration Date **May 3, 2022**
By *Manuel Pres*
Miami Dade Product Control

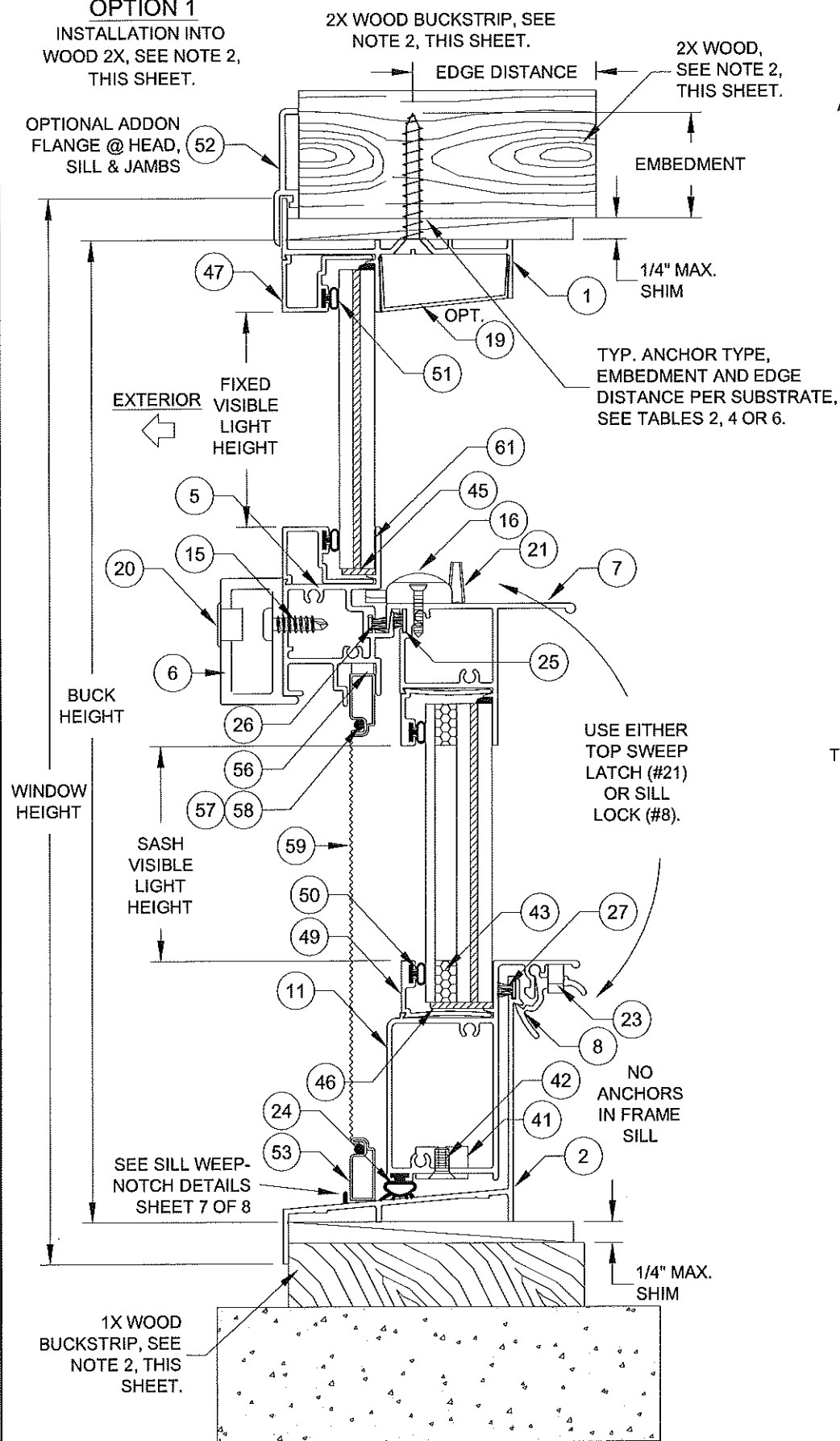
Drawn By:
J ROSOWSKI

Date:
11/11/11

INSTALLATION

OPTION 1

INSTALLATION INTO WOOD 2X, SEE NOTE 2, THIS SHEET.

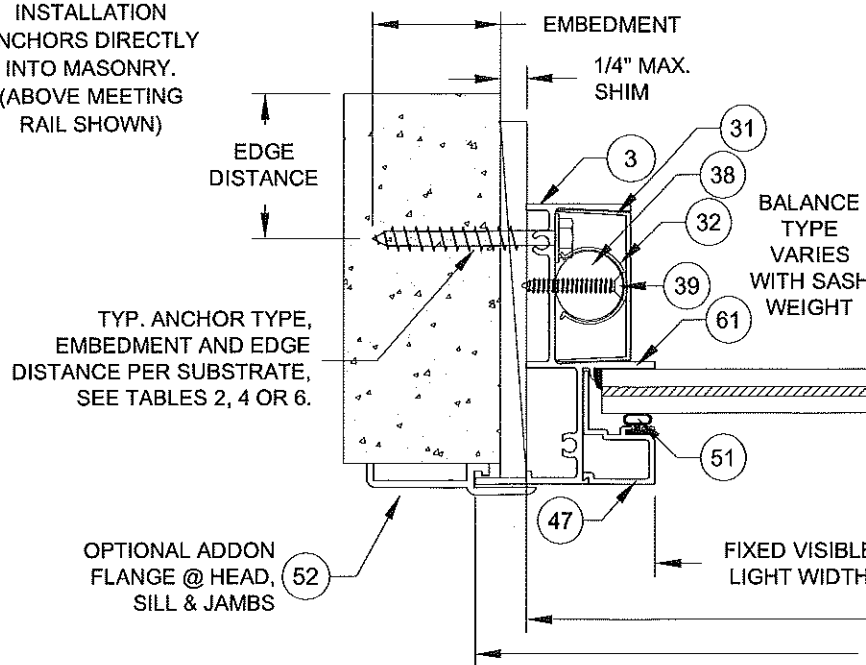


VERTICAL SECTION B-B

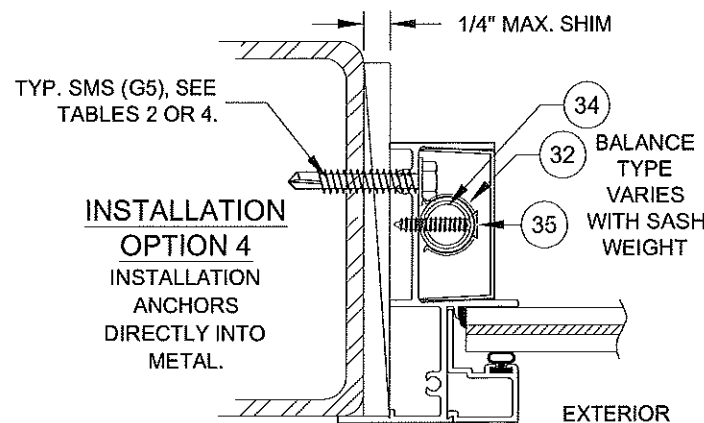
INSTALLATION

OPTION 2

INSTALLATION ANCHORS DIRECTLY INTO MASONRY. (ABOVE MEETING RAIL SHOWN)



HORIZONTAL SECTION A-A



INSTALLATION

OPTION 4

INSTALLATION ANCHORS DIRECTLY INTO METAL.

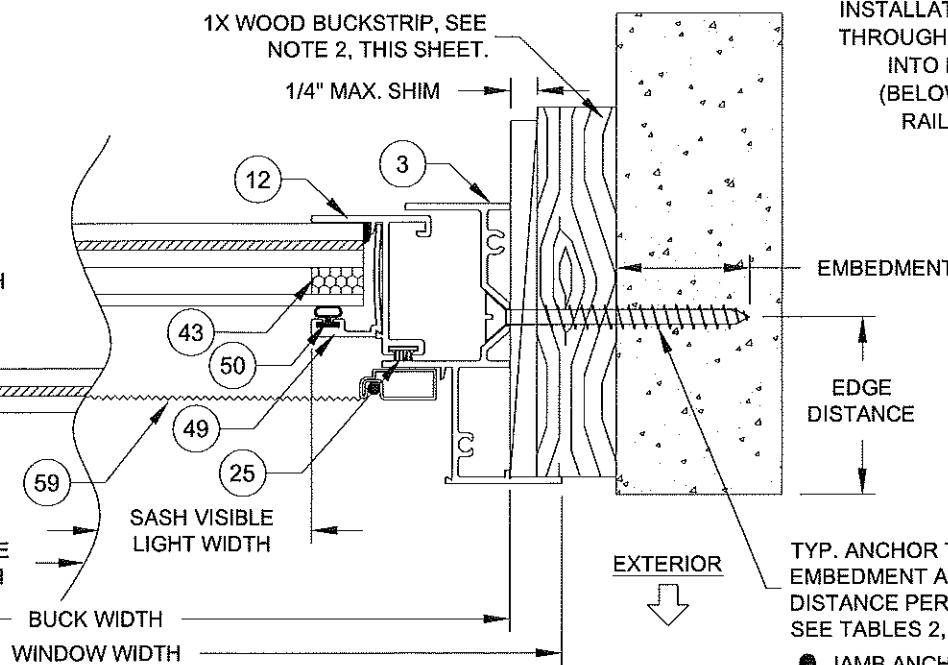
DADE APPROVED MULLION, ALUMINUM, STEEL FRAMING OR STEEL STUD. SEE SUBSTRATE PROPERTIES, TABLES 2 OR 4.

CONCRETE/CMU PER ANCHOR REQUIREMENT

INSTALLATION

OPTION 3

INSTALLATION ANCHORS THROUGH 1X BUCKSTRIP INTO MASONRY. (BELOW MEETING RAIL SHOWN)



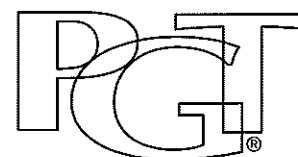
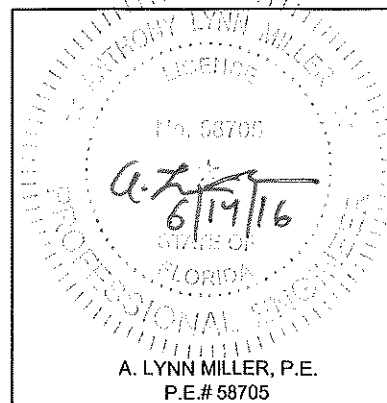
TYP. ANCHOR TYPE, EMBEDMENT AND EDGE DISTANCE PER SUBSTRATE, SEE TABLES 2, 4 OR 6.

JAMB ANCHORS BELOW THE MEETING RAIL MUST NOT INTERFERE WITH THE OPERATION OF THE SASH.

NOTES

- 1) USE ONLY SUBSTRATE-APPROPRIATE ANCHORS LISTED ON TABLES 2, 4 OR 6. FOLLOW EMBEDMENT AND EDGE DISTANCE LIMITS. ANY INSTALLATION OPTION SHOWN MAY BE USED ON ANY SIDE OF THE WINDOW.
- 2) ALL WOOD BUCKS LESS THAN 1-1/2" THICK ARE TO BE CONSIDERED 1X INSTALLATIONS. 1X WOOD BUCKS ARE OPTIONAL IF UNIT IS INSTALLED DIRECTLY TO SUBSTRATE. WOOD BUCKS DEPICTED AS 2X ARE 1-1/2" THICK OR GREATER. 1X AND 2X BUCKS (WHEN USED) SHALL BE DESIGNED TO PROPERLY TRANSFER LOADS TO THE STRUCTURE. WOOD BUCK DESIGN AND INSTALLATION IS THE RESPONSIBILITY OF THE ENGINEER OR ARCHITECT OF RECORD.

PRODUCT REVISED
 as complying with the Florida
 Building Code
 Acceptance No. 16-0714-02
 Expiration Date May 31, 2022
 By: *Manuel Jerez*
 Miami Dade Product Control



1070 TECHNOLOGY DRIVE
 N. VENICE, FL 34275
 P.O. BOX 1529
 NOKOMIS, FL 34274

CERT. OF AUTH. #29296

Revised By:	Date:	Revision:
Revised By:	Date:	Revision:
Description: FLANGE FRAME INSTALLATION DETAILS		Drawn By: J ROSOWSKI
Title: SH WINDOW - SMALL MISSILE		Date: 11/11/11
Series/Model: SH-800	Scale: NTS	Sheet: 2 OF 8
Drawing No. MD-SH800SM-01		Rev: B

TABLE 1:

		ANCHOR QUANTITIES REQUIRED - Group A Anchors																							
		Overall Window Width																							
Sash Height or Height Range	Overall Window Height	19-1/8"			26-1/2"			33"			37"			41"			45"			49"			53-1/8"		
		Jamb		Header	Jamb		Header	Jamb		Header	Jamb		Header	Jamb		Header	Jamb		Header	Jamb		Header	Jamb		Header
		Above MR	Below MR	Header	Above MR	Below MR	Header	Above MR	Below MR	Header	Above MR	Below MR	Header	Above MR	Below MR	Header	Above MR	Below MR	Header	Above MR	Below MR	Header	Above MR	Below MR	Header
24-1/2"	12-3/4" (Equal-Lite)	1	2	1	1	2	1	1	2	1	1	2	2	1	1	2	2	1	1	2	2	1	1	2	2
25-1/2"	13-1/4" (Equal-Lite)	1	2	1	1	2	1	1	2	1	1	2	2	1	1	2	2	1	1	2	2	1	1	3	2
37"	19" (Equal-Lite)	2	2	1	2	2	1	2	2	2	2	3	2	2	3	2	2	3	2	2	3	3	2	4	3
38-3/8"	19-5/8" (Equal-Lite)	2	2	1	2	2	1	2	2	2	2	3	2	2	3	2	2	3	2	2	3	3	2	4	3
	19" thru 19-9/16"	2	2	1	2	2	1	2	2	2	2	3	2	2	3	2	2	3	3	2	3	3	3	4	3
	16" thru 18-15/16" *	2	2	1	2	2	1	2	2	2	2	3	2	2	3	2	2	3	3	2	3	3	3	4	3
45"	13" thru 15-15/16"	2	2	1	2	2	1	2	2	2	2	2	2	2	3	3	3	3	3	3	3	3	3	3	3
	23" (Equal-Lite)	2	2	1	2	2	1	2	3	2	2	3	2	2	3	2	2	4	3	2	4	3	2	4	3
	22" thru 22-15/16"	2	2	1	2	2	1	2	3	2	2	3	2	2	3	2	2	4	3	2	4	3	3	4	3
	19" thru 21-15/16" *	2	2	1	2	2	1	2	3	2	2	3	2	2	3	3	3	4	3	3	4	3	3	4	4
50-5/8"	16" thru 18-15/16"	2	2	1	2	2	1	2	2	2	3	3	2	3	3	3	3	3	3	3	3	3	4	4	
	13" thru 15-15/16"	2	2	1	2	2	1	2	3	2	3	3	2	3	3	3	3	4	3	3	4	3	4	4	
	25-3/4" (Equal-Lite)	2	3	1	2	3	1	2	3	2	2	3	2	2	4	3	3	4	3	3	4	3	3	5	3
	25" thru 25-11/16"	2	3	1	2	3	1	2	3	2	2	3	2	2	4	3	3	4	3	3	4	3	3	5	3
	22" thru 24-15/16"	2	3	1	2	3	1	2	3	2	2	3	2	3	3	2	3	4	3	3	4	3	3	5	4
63"	19" thru 21-15/16" *	2	2	1	2	2	1	3	3	2	3	3	2	3	3	3	3	4	3	3	4	4	4	4	4
	16" thru 18-15/16"	2	2	1	3	2	1	3	2	2	3	3	2	3	3	3	4	3	3	4	3	4	4	4	4
	32" (Equal-Lite)	2	3	1	2	3	1	3	4	2	3	4	2	3	4	3	3	5	3	3	5	4	4	6	4
	31" thru 31-15/16"	2	3	1	2	3	1	3	4	2	3	4	2	3	4	3	3	5	3	3	5	4	4	6	4
	28" thru 30-15/16"	2	3	1	3	3	1	3	4	2	3	4	2	3	4	3	4	4	3	4	4	3	4	5	4
	25" thru 27-15/16" *	2	3	1	3	3	1	3	3	2	4	4	2	4	4	3	4	4	3	4	4	3	4	5	4
	22" thru 24-15/16"	3	3	1	3	3	1	4	3	2	4	3	2	4	4	3	4	4	3	5	4	4	5	5	4
73"	19" thru 21-15/16"	3	2	1	3	2	1	4	3	2	4	3	2	4	3	3	5	4	3	5	4	4	5	4	5
	16" thru 18-15/16"	3	2	1	4	2	1	4	2	2	5	3	2	5	3	3	5	3	3	5	3	4	6	4	5
	37" (Equal-Lite)	2	3	1	3	3	1	3	4	2	3	5	2	4	5	3	4	6	3	4	6	4	4	6	4
	34" thru 36-15/16"	3	3	1	3	3	1	3	4	2	4	5	2	4	5	3	4	6	3	4	6	4	5	6	4
	31" thru 33-15/16"	3	3	1	3	3	1	4	4	2	4	4	2	4	5	3	5	5	3	5	6	4	5	6	4
	28" thru 30-15/16" *	3	3	1	3	3	1	4	4	2	4	4	2	5	4	3	5	5	3	5	5	4	5	6	5
	25" thru 27-15/16"	3	3	1	4	3	1	4	3	2	5	4	2	5	4	3	5	4	3	6	5	4	6	5	5
78"	22" thru 24-15/16"	3	3	1	4	3	1	5	3	2	5	3	2	5	4	3	6	4	3	6	5	4	7	5	5
	19" thru 21-15/16"	3	2	1	4	2	1	5	3	2	5	3	2	6	3	3	6	4	3	6	4	4	7	4	5
	39-1/2" (Equal-Lite)	2	3	1	3	4	1	3	4	2	4	5	2	4	5	3	4	6	3	4	6	4	5	7	4
	37" thru 39-7/16"	3	3	1	3	4	1	4	4	2	4	5	2	4	5	3	4	6	3	5	6	4	5	7	4
	34" thru 36-15/16"	3	3	1	3	3	1	4	4	2	4	5	2	4	5	3	5	6	3	5	6	4	5	6	5
	31" thru 33-15/16" *	3	3	1	4	3	1	4	4	2	5	4	2	5	5	3	5	5	3	5	6	4	6	6	5
Overall Window Height	28" thru 30-15/16"	3	3	1	4	3	1	4	4	2	5	4	2	5	4	3	6	5	3	6	5	4	7	5	5
	25" thru 27-15/16"	3	3	1	4	3	1	5	3	2	6	4	2	6	4	3	6	5	3	6	5	4	7	5	5
	22" thru 24-15/16"	3	3	1	4	3	1	5	3	2	6	3	2	6	4	3	6	4	3	7	4	4	7	5	5
	20" thru 21-15/16"	3	2	1	4	2	1	5	3	2	6	3	2	6	3	3	7	4	3	7	4	4	7	4	5

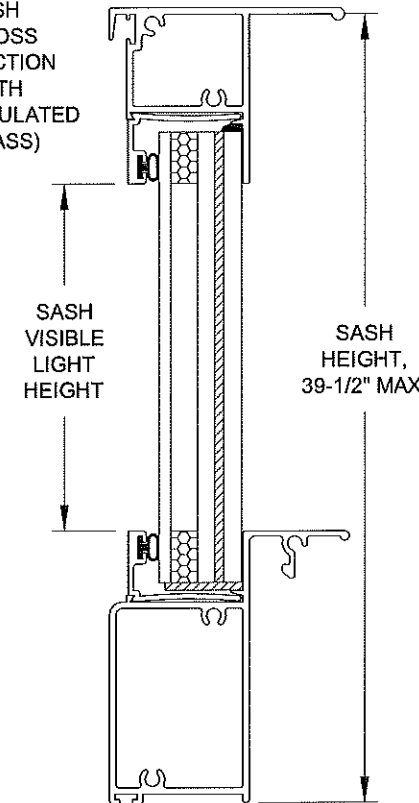
* SASH HEIGHT RANGE INCLUDES THE STANDARD PROVIEW / ORIEL CONFIGURATION.

TABLE 2:

Anchor Group	Anchor	Substrate	Min. Edge Distance	Min. Embedment
A	#12, Steel SMS (G5) or #12, 410 SS SMS	P.T. Southern Pine (SG = .55)	9/16"	1-3/8"
		6063-T5 Alum	3/8"	1/8" **
		Steel Stud, Gr. 33 min.	3/8"	0.045 (18 Ga) **
	3/16" Steel Ultracon	A36 Steel	3/8"	1/8" **
		Concrete (min. 2.9 ksi)	2-1/2"	1-3/4"
		Grouted-filled Block, (ASTM C90)	2-1/2"	2-1/4"
1/4" Steel Ultracon	Concrete (min. 2.9 ksi)	1"	1-3/4"	
	Hollow Block, (ASTM C90)	2-1/2"	1-1/4"	

** MINIMUM OF 3 THREADS BEYOND THE METAL SUBSTRATE.

FIGURE A: SASH CROSS SECTION (WITH INSULATED GLASS)



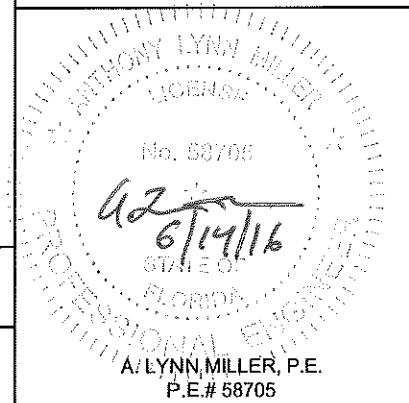
NOTES:

- FOR BUCK DIMENSIONS, SUBTRACT 1" FROM WINDOW WIDTH OR HEIGHT.
- "MR" = "MEETING RAIL"
- FOR OVERALL SASH WIDTH, SUBTRACT 2-9/16" FROM THE WINDOW WIDTH.
- FOR SIZES NOT SHOWN, ROUND UP TO THE NEXT AVAILABLE WIDTH OR HEIGHT DIMENSION SHOWN ON THE TABLE.
- SEE SHEET 2 FOR INSTALLATION DETAILS.

SASH VISIBLE LIGHT FORMULAS:
 WIDTH = WINDOW WIDTH - 4.875"
 HEIGHT = SASH HEIGHT - 4.293"

FIXED VISIBLE LIGHT FORMULAS:
 WIDTH = WINDOW WIDTH - 3.5"
 HEIGHT = WINDOW HEIGHT - SASH HEIGHT - 3.336"

PRODUCT REVISED as complying with the Florida Building Code
 Acceptance No. 16-0714.02
 Expiration Date May 3, 2022
 By *Manuel Diaz*
 Miami Dade Product Control



	Revised By:	Date:	Revision:
	Revised By:	Date:	Revision:
Description: ANCHOR QUANTITIES A			Drawn By: J ROSOWSKI
Title: SH WINDOW - SMALL MISSILE			Date: 11/11/11
Series/Model: SH-800	Scale: NTS	Sheet: 3 OF 8	Drawing No. MD-SH800SM-01
CERT. OF AUTH. #29296			Rev: B

TABLE 3:

ANCHOR QUANTITIES REQUIRED - Group B Anchors

Overall Window Height	Sash Height or Height Range	Overall Window Width																											
		19-1/8"			26-1/2"			33"			37"			41"			45"			49"			53-1/8"						
		Above MR	Below MR	Header	Above MR	Below MR	Header	Above MR	Below MR	Header	Above MR	Below MR	Header	Above MR	Below MR	Header	Above MR	Below MR	Header	Above MR	Below MR	Header	Above MR	Below MR	Header				
24-1/2"	12-3/4" (Equal-Lite)	1	2	1	1	2	1	1	2	1	1	2	1	1	2	2	1	2	2	1	2	2	1	2	2	1	2	2	
	25-1/2"	13-1/4" (Equal-Lite)	1	2	1	1	2	1	1	2	1	1	2	1	1	2	2	1	2	2	1	2	2	1	2	2	1	2	2
38-3/8"	37"	19" (Equal-Lite)	2	2	1	2	2	1	2	2	1	2	2	2	2	2	2	2	3	2	2	3	2	2	3	2	2	3	2
	19-5/8" (Equal-Lite)	19" thru 19-9/16"	2	2	1	2	2	1	2	2	1	2	2	2	2	2	2	2	3	2	2	3	2	2	3	2	2	3	2
		16" thru 18-15/16" *	2	2	1	2	2	1	2	2	2	2	2	2	2	2	2	2	3	2	2	3	2	2	3	2	2	3	2
		13" thru 15-15/16"	2	2	1	2	2	1	2	2	2	2	2	2	2	2	2	2	2	2	2	2	2	2	2	2	2	3	3
45"	23" (Equal-Lite)	2	2	1	2	2	1	2	2	2	2	2	2	2	3	2	2	3	2	2	3	2	2	3	2	2	3	2	
	22" thru 22-15/16"	2	2	1	2	2	1	2	2	2	2	2	2	2	3	2	2	3	2	2	3	2	2	3	2	2	3	2	
	19" thru 21-15/16" *	2	2	1	2	2	1	2	2	2	2	2	2	2	3	2	2	3	2	2	3	2	2	3	2	2	3	3	
	16" thru 18-15/16"	2	2	1	2	2	1	2	2	2	2	2	2	2	2	2	2	3	2	2	3	2	3	3	3	3	3	3	
50-5/8"	25-3/4" (Equal-Lite)	2	3	1	2	3	1	2	3	2	2	3	2	2	3	2	2	3	2	2	3	2	2	3	2	2	4	3	
	25" thru 25-11/16"	2	3	1	2	3	1	2	3	2	2	3	2	2	3	2	2	3	2	2	3	2	2	3	2	2	4	3	
	22" thru 24-15/16"	2	3	1	2	3	1	2	3	2	2	3	2	2	3	2	2	3	2	2	3	3	3	3	3	3	4	3	
	19" thru 21-15/16" *	2	2	1	2	2	1	2	2	2	2	2	2	2	3	2	3	3	2	3	3	3	3	3	3	3	3	3	
	16" thru 18-15/16"	2	2	1	2	2	1	2	2	2	3	2	2	3	2	2	3	3	3	3	3	3	3	3	3	3	3	3	
63"	32" (Equal-Lite)	2	3	1	2	3	1	2	3	2	2	3	2	2	4	2	3	4	2	3	4	3	3	4	3	3	4	3	
	31" thru 31-15/16"	2	3	1	2	3	1	2	3	2	2	3	2	3	4	2	3	4	2	3	4	3	3	4	3	3	4	3	
	28" thru 30-15/16"	2	3	1	2	3	1	2	3	2	3	3	2	3	3	2	3	4	3	3	4	3	3	4	3	3	4	3	
	25" thru 27-15/16" *	2	3	1	2	3	1	3	3	2	3	3	2	3	3	2	3	3	3	3	3	3	3	4	3	4	4	3	
	22" thru 24-15/16"	3	3	1	3	3	1	3	3	2	3	3	2	3	3	2	3	3	3	4	3	3	4	3	3	4	4	3	
	19" thru 21-15/16"	3	2	1	3	2	1	3	2	2	4	2	2	4	2	2	4	3	3	4	3	3	4	3	3	5	3	3	
73"	37" (Equal-Lite)	2	3	1	2	3	1	3	3	2	3	4	2	3	4	2	3	4	3	3	5	3	3	5	3	4	5	3	
	34" thru 36-15/16"	3	3	1	3	3	1	3	3	2	3	4	2	3	4	2	3	4	3	3	5	3	4	5	3	4	5	3	
	31" thru 33-15/16"	3	3	1	3	3	1	3	3	2	3	3	2	3	4	2	4	4	3	4	4	3	4	4	3	4	5	3	
	28" thru 30-15/16" *	3	3	1	3	3	1	3	3	2	3	3	2	4	3	2	4	4	3	4	4	3	4	4	3	5	4	4	
	25" thru 27-15/16"	3	3	1	3	3	1	3	3	2	4	3	2	4	3	2	4	3	3	4	4	3	4	4	3	5	4	4	
	22" thru 24-15/16"	3	3	1	3	3	1	4	3	2	4	3	2	4	3	2	5	3	3	5	3	3	5	3	3	5	4	4	
	19" thru 21-15/16"	3	2	1	3	2	1	4	2	2	4	2	2	5	3	2	5	3	3	5	3	3	5	3	3	5	3	4	
78"	39-1/2" (Equal-Lite)	2	3	1	2	3	1	3	4	2	3	4	2	3	4	2	3	5	3	3	5	3	4	5	3	4	5	3	
	37" thru 39-7/16"	3	3	1	3	3	1	3	4	2	3	4	2	3	4	2	3	5	3	4	5	3	4	5	3	4	5	3	
	34" thru 36-15/16"	3	3	1	3	3	1	3	3	2	3	4	2	4	4	2	4	4	3	4	5	3	4	5	3	4	5	3	
	31" thru 33-15/16" *	3	3	1	3	3	1	3	3	2	4	3	2	4	4	2	4	4	3	4	4	3	4	4	3	5	5	3	
	28" thru 30-15/16"	3	3	1	3	3	1	4	3	2	4	3	2	4	3	2	4	4	3	5	4	3	5	4	3	5	4	4	
	25" thru 27-15/16"	3	3	1	3	3	1	4	3	2	4	3	2	4	3	2	5	3	3	5	4	3	5	4	3	5	4	4	

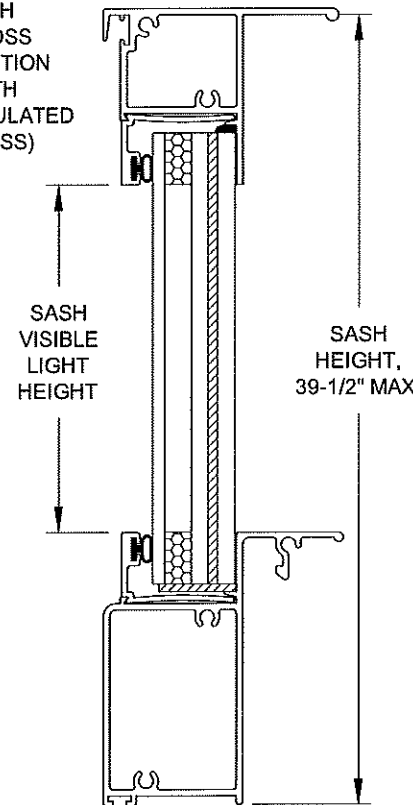
* SASH HEIGHT RANGE INCLUDES THE STANDARD PROVIEW / ORIEL CONFIGURATION.

TABLE 4:

Anchor Group	Anchor	Substrate	Min. Edge Distance	Min. Embedment
B	#14, Steel SMS (G5) or #14, 410 SS SMS	P.T. Southern Pine (SG = .55)	9/16"	1-3/8"
		6063-T5 Alum	3/8"	1/8" **
		Steel Stud, Gr. 33 min.	3/8"	0.045 (18 Ga) **
		A36 Steel	3/8"	1/8" **
	1/4" CretaFlex	P.T. Southern Pine (SG = .55)	1"	1-3/4"
5/16" Steel Ultracon	Hollow Block, (ASTM C90)	3-1/8"	1-1/4"	

** MINIMUM OF 3 THREADS BEYOND THE METAL SUBSTRATE.

FIGURE A: SASH CROSS SECTION (WITH INSULATED GLASS)



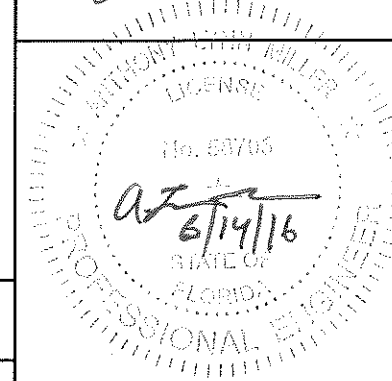
NOTES:

- 1) FOR BUCK DIMENSIONS, SUBTRACT 1" FROM WINDOW WIDTH OR HEIGHT.
- 2) "MR" = "MEETING RAIL"
- 3) FOR OVERALL SASH WIDTH, SUBTRACT 2-9/16" FROM THE WINDOW WIDTH.
- 4) FOR SIZES NOT SHOWN, ROUND UP TO THE NEXT AVAILABLE WIDTH OR HEIGHT DIMENSION SHOWN ON THE TABLE.
- 5) SEE SHEET 2 FOR INSTALLATION DETAILS.

SASH VISIBLE LIGHT FORMULAS:
 WIDTH = WINDOW WIDTH - 4.875"
 HEIGHT = SASH HEIGHT - 4.293"

FIXED VISIBLE LIGHT FORMULAS:
 WIDTH = WINDOW WIDTH - 3.5"
 HEIGHT = WINDOW HEIGHT - SASH HEIGHT - 3.336"

PRODUCT REVISED as complying with the Florida Building Code
 Acceptance No. 16-0714-02
 Expiration Date May 3, 2022
 By *Manuel Jara*
 Miami Trade Product Control



A. LYNN MILLER, P.E.
 P.E.# 58705


	Revised By:	Date:	Revision:
	Revised By:	Date:	Revision:
Description: ANCHOR QUANTITIES B			Drawn By: J ROSOWSKI
Title: SH WINDOW - SMALL MISSILE			Date: 11/11/11
Series/Model: SH-800	Scale: NTS	Sheet: 4 OF 8	Drawing No. MD-SH800SM-01
CERT. OF AUTH. #29296			Rev: B

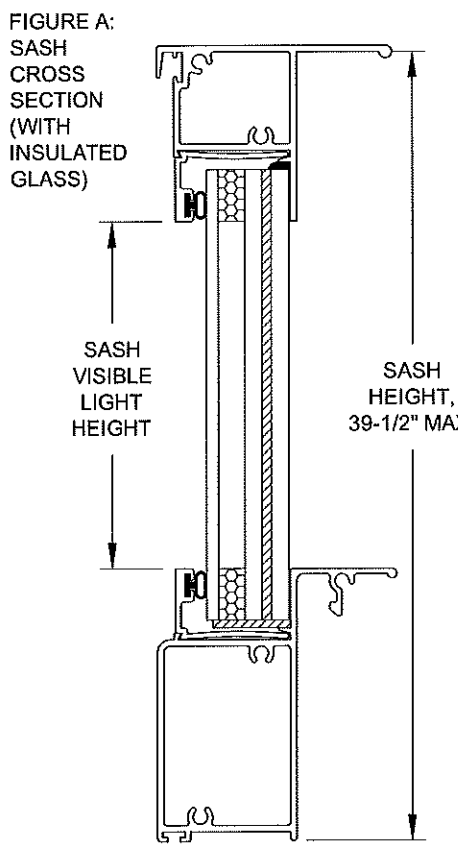
TABLE 5:

Overall Window Height		ANCHOR QUANTITIES REQUIRED - Group C Anchors																										
		Overall Window Width																										
		19-1/8"			26-1/2"			33"			37"			41"			45"			49"			53-1/8"					
		Jamb		Header	Jamb		Header	Jamb		Header	Jamb		Header	Jamb		Header	Jamb		Header	Jamb		Header	Jamb		Header			
Sash Height or Height Range		Above MR	Below MR	Header	Above MR	Below MR	Header	Above MR	Below MR	Header	Above MR	Below MR	Header	Above MR	Below MR	Header	Above MR	Below MR	Header	Above MR	Below MR	Header	Above MR	Below MR	Header			
24-1/2"	12-3/4" (Equal-Lite)	1	2	1	1	2	1	1	2	1	1	2	1	1	2	2	1	1	2	2	1	1	2	2	1	1	2	2
25-1/2"	13-1/4" (Equal-Lite)	1	2	1	1	2	1	1	2	1	1	2	1	1	2	2	1	1	2	2	1	1	2	2	1	1	2	2
37"	19" (Equal-Lite)	2	2	1	2	2	1	2	2	1	2	2	1	2	2	2	2	2	2	2	2	2	2	2	2	2	2	2
38-3/8"	19-5/8" (Equal-Lite)	2	2	1	2	2	1	2	2	1	2	2	1	2	2	2	2	2	2	2	2	2	2	2	2	2	2	2
	19" thru 19-9/16"	2	2	1	2	2	1	2	2	1	2	2	1	2	2	2	2	2	2	2	2	2	2	2	2	2	2	2
	16" thru 18-15/16" *	2	2	1	2	2	1	2	2	1	2	2	1	2	2	2	2	2	2	2	2	2	2	2	2	2	2	2
45"	13" thru 15-15/16"	2	2	1	2	2	1	2	2	1	2	2	1	2	2	2	2	2	2	2	2	2	2	2	2	2	2	2
	23" (Equal-Lite)	2	2	1	2	2	1	2	2	1	2	2	1	2	2	2	2	2	2	2	2	2	2	2	2	2	3	2
	22" thru 22-15/16"	2	2	1	2	2	1	2	2	1	2	2	1	2	2	2	2	2	2	2	2	2	2	2	2	2	3	2
	19" thru 21-15/16" *	2	2	1	2	2	1	2	2	1	2	2	1	2	2	2	2	2	2	2	2	2	2	2	2	2	2	2
50-5/8"	16" thru 18-15/16"	2	2	1	2	2	1	2	2	1	2	2	1	2	2	2	2	2	2	2	2	2	2	2	2	2	2	2
	13" thru 15-15/16"	2	2	1	2	2	1	2	2	1	2	2	1	2	2	2	2	2	2	2	2	2	2	2	2	2	2	2
	25-3/4" (Equal-Lite)	2	3	1	2	3	1	2	3	1	2	3	1	2	3	2	2	3	2	2	3	2	2	2	3	2	2	2
	25" thru 25-11/16"	2	3	1	2	3	1	2	3	1	2	3	1	2	3	2	2	3	2	2	3	2	2	2	3	2	2	2
	22" thru 24-15/16"	2	3	1	2	3	1	2	3	1	2	3	2	2	3	2	2	3	2	2	3	2	2	2	3	2	2	2
63"	19" thru 21-15/16" *	2	2	1	2	2	1	2	2	1	2	2	1	2	2	2	2	2	2	2	2	2	2	2	2	2	2	2
	16" thru 18-15/16"	2	2	1	2	2	1	2	2	1	2	2	1	2	2	2	2	2	2	2	2	2	2	2	2	2	2	2
	13" thru 15-15/16"	2	2	1	2	2	1	2	2	1	2	2	1	2	2	2	2	2	2	2	2	2	2	2	2	2	2	2
	32" (Equal-Lite)	2	3	1	2	3	1	2	3	1	2	3	1	2	3	2	2	3	2	2	3	2	2	2	3	2	2	2
	31" thru 31-15/16"	2	3	1	2	3	1	2	3	1	2	3	1	2	3	2	2	3	2	2	3	2	2	2	3	2	2	2
	28" thru 30-15/16"	2	3	1	2	3	1	2	3	1	2	3	1	2	3	2	2	3	2	2	3	2	2	2	3	2	2	2
73"	25" thru 27-15/16" *	2	3	1	2	3	1	2	3	1	2	3	1	2	3	2	2	3	2	2	3	2	2	3	2	2	3	3
	22" thru 24-15/16"	3	3	1	3	3	1	3	3	1	3	3	1	3	3	2	3	3	2	3	3	2	3	3	2	3	3	3
	19" thru 21-15/16"	3	2	1	3	2	1	3	2	1	3	2	1	3	2	2	3	2	2	3	2	2	3	2	2	3	2	3
	16" thru 18-15/16"	3	2	1	3	2	1	3	2	1	3	2	1	3	2	2	3	2	2	3	2	2	3	2	2	3	2	3
	13" thru 15-15/16"	3	2	1	3	2	1	3	2	1	3	2	1	3	2	2	3	2	2	3	2	2	3	2	2	4	2	3
	37" (Equal-Lite)	2	3	1	2	3	1	2	3	1	2	3	1	2	3	2	2	3	2	2	3	2	2	2	4	2	3	4
	34" thru 36-15/16"	3	3	1	3	3	1	3	3	1	3	3	1	3	3	2	3	3	2	3	3	2	3	3	2	3	4	3
78"	31" thru 33-15/16" *	3	3	1	3	3	1	3	3	1	3	3	1	3	3	2	3	3	2	3	3	2	3	3	2	3	4	3
	28" thru 30-15/16"	3	3	1	3	3	1	3	3	1	3	3	1	3	3	2	3	3	2	3	3	2	3	3	2	4	3	3
	25" thru 27-15/16"	3	3	1	3	3	1	3	3	1	3	3	1	3	3	2	3	3	2	4	3	2	4	3	2	4	3	3
	22" thru 24-15/16"	3	3	1	3	3	1	3	3	1	3	3	1	3	3	2	4	3	2	4	3	2	4	3	2	4	3	3
	39-1/2" (Equal-Lite)	2	3	1	2	3	1	2	3	1	2	3	1	2	3	2	2	3	2	2	3	2	2	3	4	2	3	4
	37" thru 39-7/16"	3	3	1	3	3	1	3	3	1	3	3	1	3	3	2	3	3	2	3	3	2	3	3	2	3	4	3

* SASH HEIGHT RANGE INCLUDES THE STANDARD PROVIEW / ORIEL CONFIGURATION.

TABLE 6:

Anchor Group	Anchor	Substrate	Min. Edge Distance	Min. Embedment
C	1/4" Steel Ultracon	Concrete (min. 2.7 ksi)	2-1/2"	1-3/8"
	1/4" CreteFlex	Concrete (min. 3.35 ksi)	2-1/2"	1-3/4"
	5/16" Steel Ultracon	Concrete (min. 3.5 ksi)	2-3/16"	1-3/4"
		Grouted-filled Block, (ASTM C90)	2-1/2"	1-3/4"

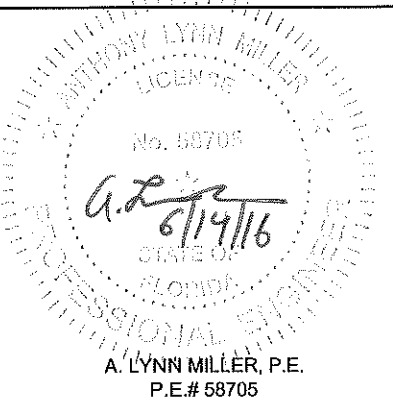


- NOTES:
- 1) FOR BUCK DIMENSIONS, SUBTRACT 1" FROM WINDOW WIDTH OR HEIGHT.
 - 2) "MR" = "MEETING RAIL"
 - 3) FOR OVERALL SASH WIDTH, SUBTRACT 2-9/16" FROM THE WINDOW WIDTH.
 - 4) FOR SIZES NOT SHOWN, ROUND UP TO THE NEXT AVAILABLE WIDTH OR HEIGHT DIMENSION SHOWN ON THE TABLE.
 - 5) SEE SHEET 2 FOR INSTALLATION DETAILS.

SASH VISIBLE LIGHT FORMULAS:
 WIDTH = WINDOW WIDTH - 4.875"
 HEIGHT = SASH HEIGHT - 4.293"

FIXED VISIBLE LIGHT FORMULAS:
 WIDTH = WINDOW WIDTH - 3.5"
 HEIGHT = WINDOW HEIGHT - SASH HEIGHT - 3.336"

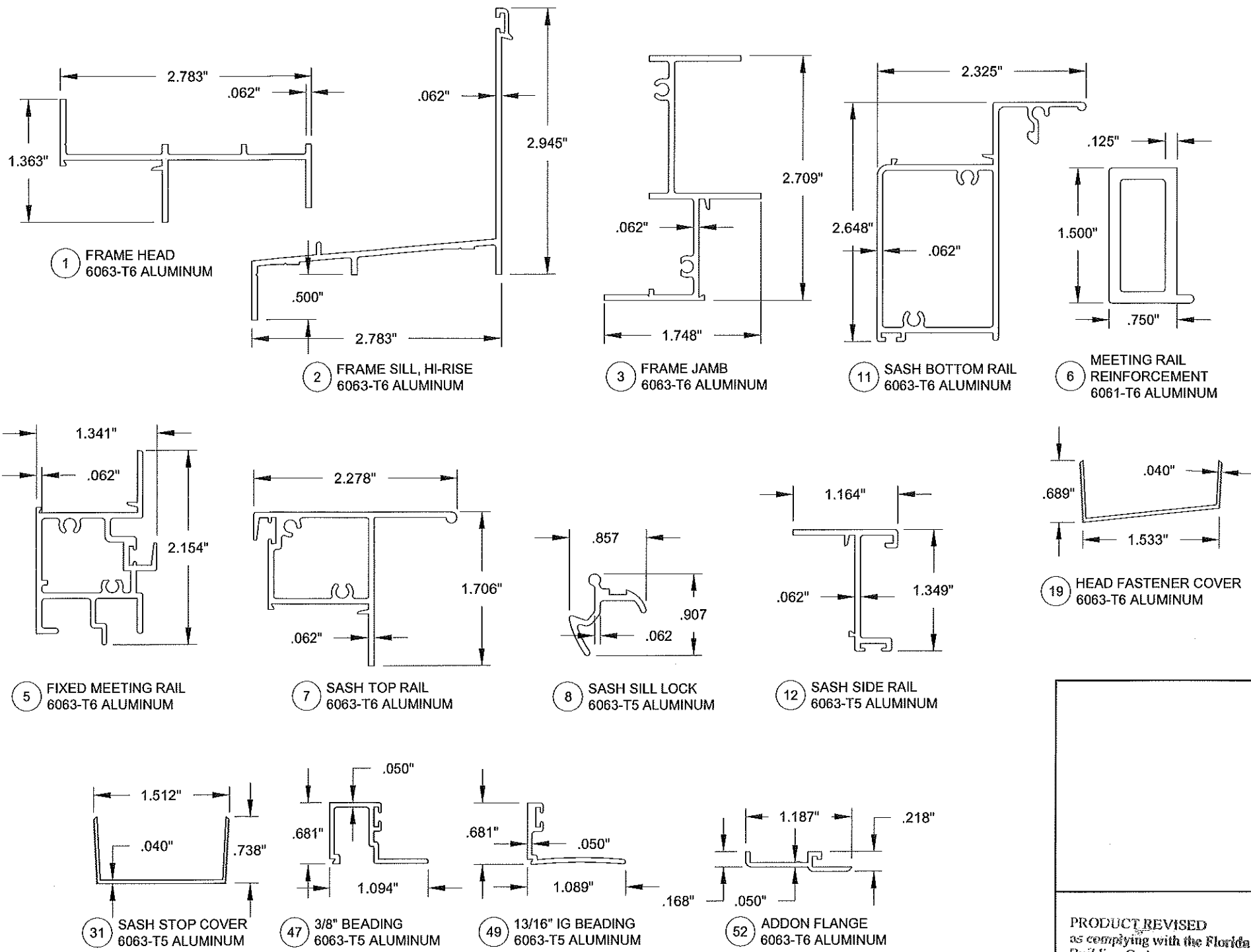
PRODUCT REVISED as complying with the Florida Building Code
 Acceptance No. 16-074-02
 Expiration Date May 3, 2022
 By *Manuel Perez*
 Miami Made Product Control



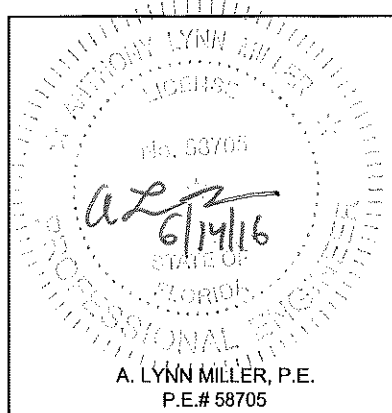
	Revised By:	Date:	Revision:
	Revised By:	Date:	Revision:
Description: ANCHOR QUANTITIES C			Drawn By: J ROSOWSKI
Title: SH WINDOW - SMALL MISSILE			Date: 11/11/11
Series/Model: SH-800	Scale: NTS	Sheet: 5 OF 8	Drawing No. MD-SH800SM-01
CERT. OF AUTH. #29296			Rev: B

TABLE 7:

Item	Dwg. #	Part #	Description	Material
1	4002A	612225W	Frame Head	6063-T6
2	4050D	64050DW	Frame Hi-Rise Sill	6063-T6
3	4004	612227W	Frame Jamb	6063-T6
5	4054B	64054BW	Fixed Meeting Rail	6063-T6
6	4063	64063W	Meeting Rail Reinforcement Tube	6061-T6
7	4006D	64006W	Sash Top Rail	6063-T6
8	4009	764009W	Sill Lock	6063-T5
11	4051A	64051W	Sash Bottom Rail - Hi-Rise	6063-T6
12	4008	612231W	Sash Side Rail	6063-T5
13	1155	781PQA	#8 x 1" Quad Pn. SMS	Steel or 410 SS
15	1179	710X34PPSDAX	#10 x 3/4" Ph. Pn. TEK	18/8 SS
16	1016	7858WW	#8 x 5/8" Ph. Fl. SMS	Steel
17	4087	44087AWR	Sash Bottom Rail End Cap	Rigid PVC
18	4064	44064W	Meeting Rail Reinf. Tube End Cap	Rigid PVC
19	4081	64081W	Head Fastener Cover (Opt.)	6063-T6
20	947	41722W	3/8" Dia. Hole Plug	Rigid PVC
21	1096	71797W	Top Sweep Latch	Cast Zinc
22	4080B	74080BK	Mtg Rail Sweep Latch Plug	Rigid PVC
23	1088	7SPRNG	Sill Latch Spring	Spring Steel
24	1226D	61226DW	Wstp., Bulb Vinyl (@ Sash Bottom Rail)	Flex PVC 70
25	1235	67S16G	.170" x .270" Fin Seal	
26	4066	64066G	.187" x .230" Fin Seal	
27	1062	61062G	.187" x .270" Fin Seal	
28	1626	7PAD1627	Adhesive Open Cell Foam Pad	Polyethylene
29		74087	Hi-Rise Sill Gasket	Polyethylene
30	4076D	74076DW	Head Gasket	Polyethylene
31	4053	64053W	Sash Stop Cover (All Balances)	6063-T5
32	1080	6BALCVR916W	Balance Cover (All Balances)	Rigid Vinyl
34		75831KEZ	Caldwell EZ-Lift Balance	
35		7834AA	#8 x 3/4" PH PN (EZ-Lift)	Steel
36	4085	44085WR	Sash Cover Guide (EZ-Lift)	Vinyl
38			Caldwell Ultra-Lift Balance (Sash > 55 lbs)	
39		78X1FPAX	#8 x 1" Ph. Fl. St. Sti. (Ultra-Lift)	410 SS
40	1086	44086WR	Sash Cover Guide (Ultra-Lift)	Vinyl
41	4029-1	7ULBRKT	Sash Bracket (Ultra-Lift)	Steel
42		7832X12FPFX	#8-32 x 1/2" PH FL SS (Ultra-Lift)	410 SS
45	1622	71622K	Lami Setting Block 3/32" x 25/64" x 1"	Neoprene, 85 duro
46	1715	71715K	IG Setting Block 1/8" x 3/4" x 1-1/14"	Neoprene, 85 duro
47	988	60988AW	3/8" Lami Glazing Bead	6063-T5
49	4039-1A	64039BW	13/16" Lami IG Glazing Bead	6063-T5
50	1224	6TP247W	Bulb Bead Weatherstrip, IG	Polyethylene
51	1225	6TP248K	Bulb Bead Weatherstrip	Polyethylene
52	134	66615W	Add-on Flange (Opt.)	6063-T6
53	1014E	61014FW	Screen Frame	Aluminum
54	1630	47042W	Screen Corner Key w/Rings	Vinyl
55	1631	47041W	Screen Corner Key w/out Rings	Vinyl
56	320B	7320SPNG	Screen Spring	Spring Steel
57	1624	61624K	Screen Spline - .135 Dia. Foam	Rubber
58		61635K	Screen Spline - .135 Dia. Hard	Rubber
59		61816C34	Screen Cloth	Fiberglass
61			Dow Corning 899 Silicone Glazing Sealant or Equiv.	
95			1/8" A - .090" PVB - 3/16" T	
96			1/8" T - 1/4" Air - 1/8" A - .090" PVB - 3/16" T	



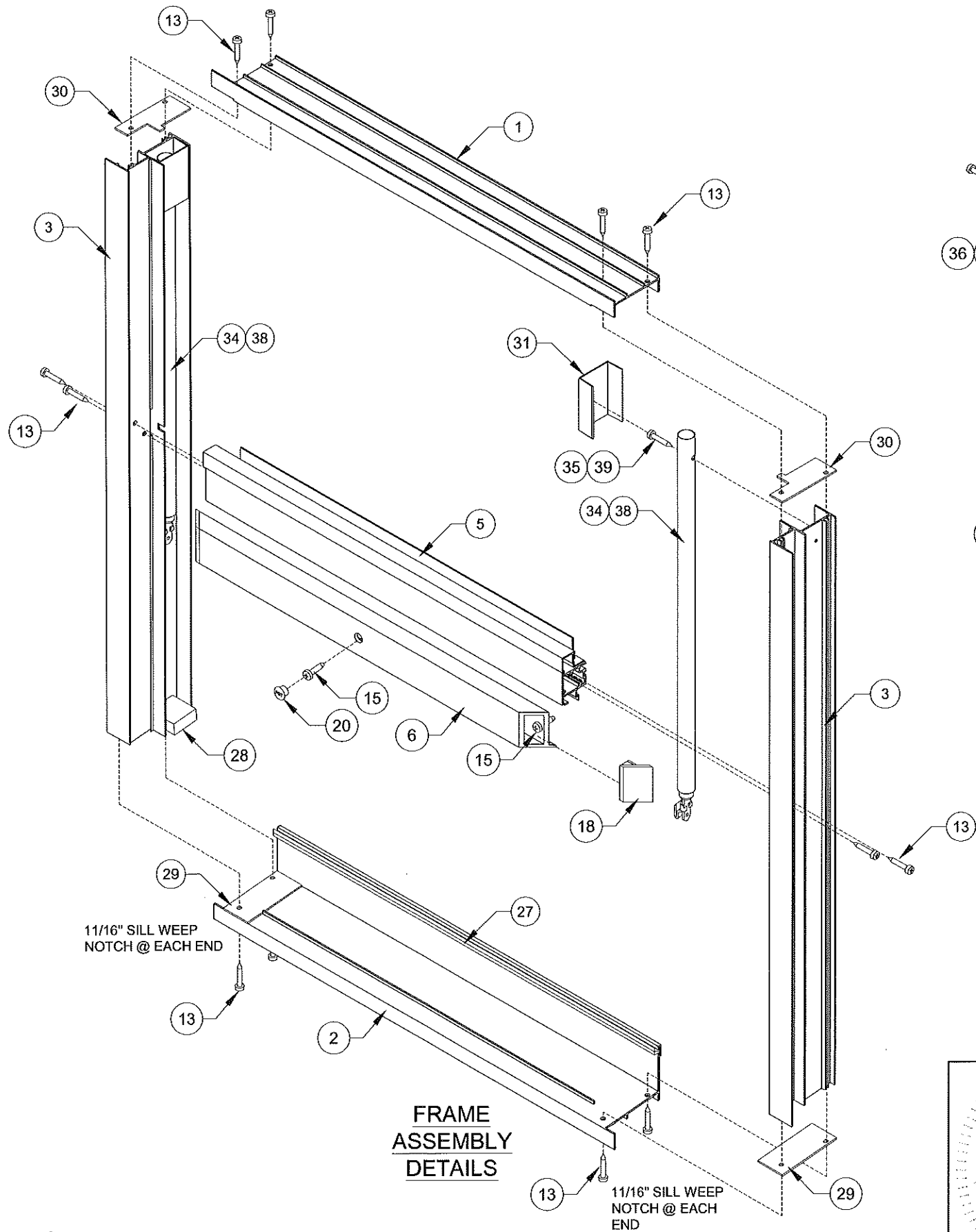
PRODUCT REVISED
 as complying with the Florida
 Building Code
 Acceptance No. 16-0714.02
 Expiration Date May 3, 2022
 By *Manuel Perez*
 Miami Dade Product Control



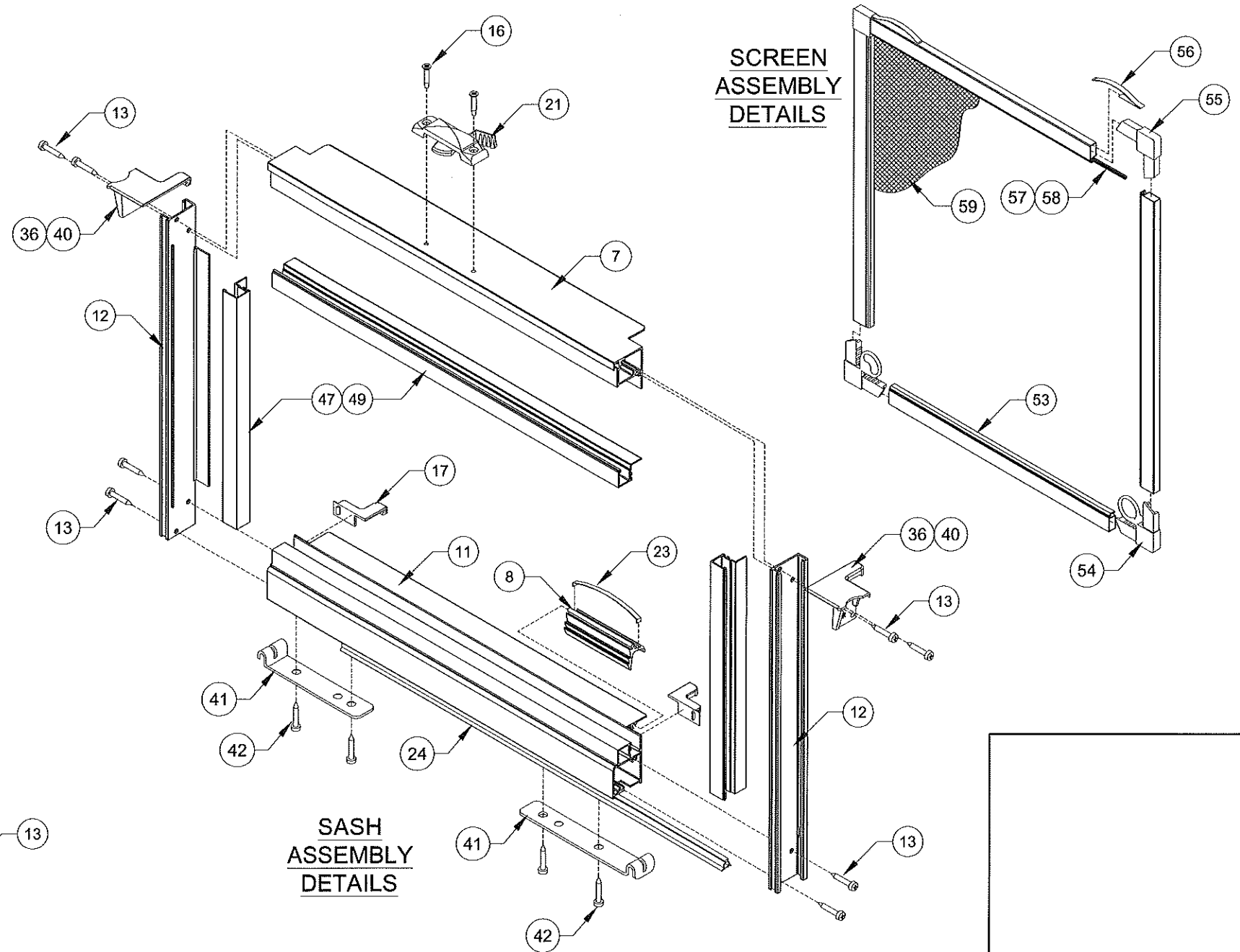
1070 TECHNOLOGY DRIVE
 N. VENICE, FL 34275
 P.O. BOX 1529
 NOKOMIS, FL 34274

CERT. OF AUTH. #29296

Revised By:	Date:	Revision:
Revised By:	Date:	Revision:
Description: GLAZING DETAILS		Drawn By: J ROSOWSKI
Title: SH WINDOW - SMALL MISSILE		Date: 11/11/11
Series/Model: SH-800	Scale: NTS	Sheet: 6 OF 8
Drawing No. MD-SH800SM-01		Rev: B



FRAME ASSEMBLY DETAILS



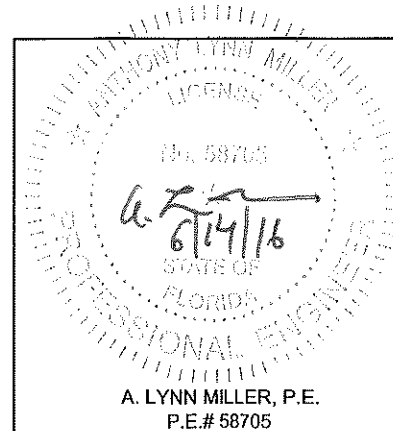
SASH ASSEMBLY DETAILS

SCREEN ASSEMBLY DETAILS

11/16" SILL WEEP NOTCH @ EACH END

11/16" SILL WEEP NOTCH @ EACH END

NOTES:
 1) GLASS & FIXED LITE BEADING NOT SHOWN FOR CLARITY.
 2) HARDWARE FOR BOTH TYPES OF BALANCES SHOWN.
 REFER TO TABLE 7, SHEET 6 FOR SPECIFIC HARDWARE REQUIREMENTS USED FOR EACH BALANCE TYPE.



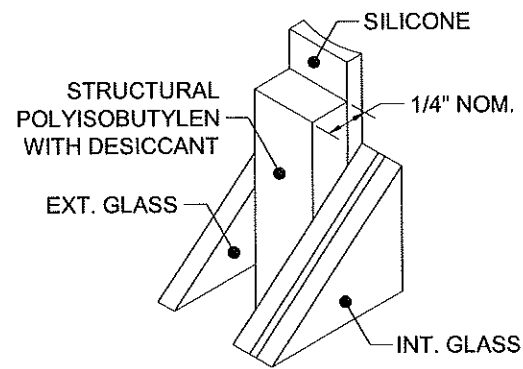
1070 TECHNOLOGY DRIVE
 N. VENICE, FL 34275
 P.O. BOX 1529
 NOKOMIS, FL 34274

CERT. OF AUTH. #29296

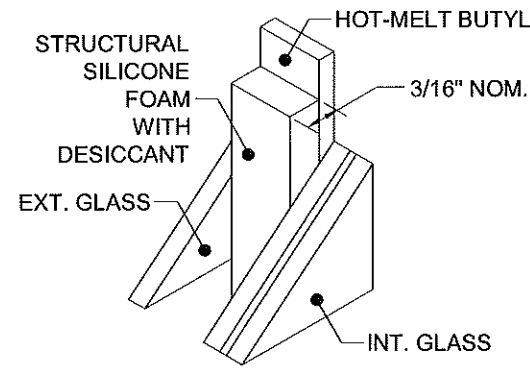
Revised By:	Date:	Revision:
Revised By:	Date:	Revision:
Description: ASSEMBLY DETAILS		
Title: SH WINDOW - SMALL MISSILE		Date: 11/11/11
Series/Model: SH-800	Scale: NTS	Sheet: 7 OF 8
Drawing No. MD-SH800SM-01		Rev: B

PRODUCT REVISED
 as complying with the Florida
 Building Code
 Acceptance No. 16-0714-02
 Expiration Date May 3, 2022
 By *Manuel J. ...*
 Miami Trade Product Control

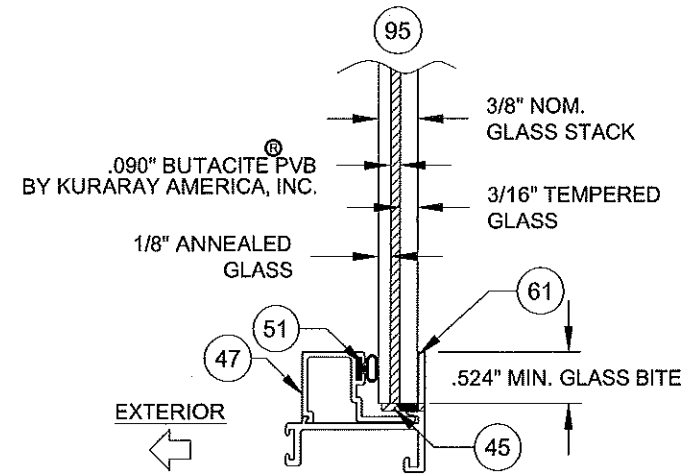
Drawn By:
J ROSOWSKI



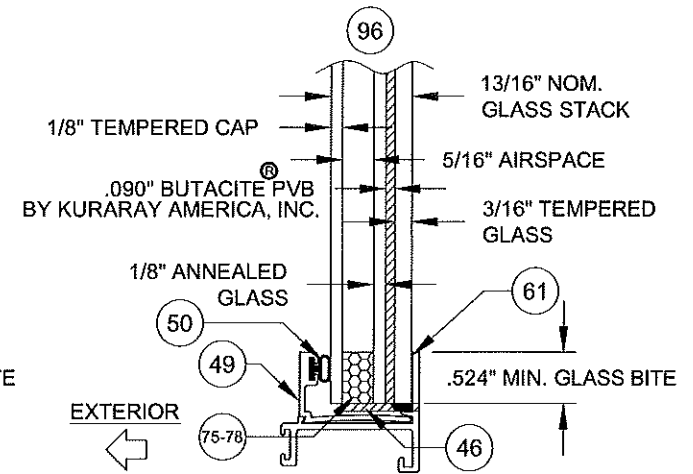
75 **KODISPACE**
4SG TPS



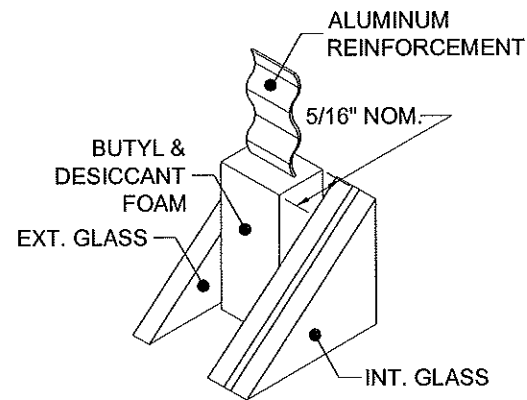
76 **SUPER SPACER**[®] **NXT**[™]



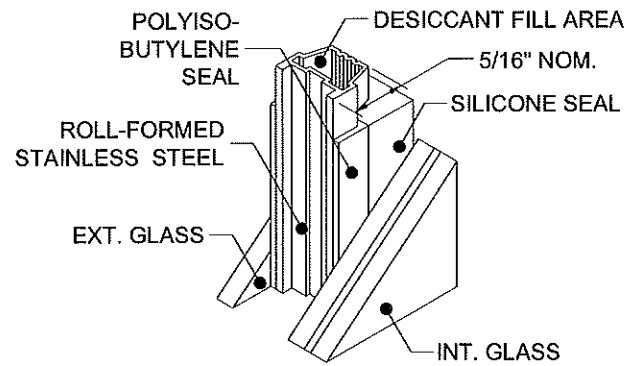
3/8" GLAZING DETAIL



13/16" I.G. GLAZING DETAIL



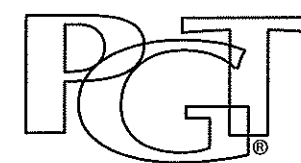
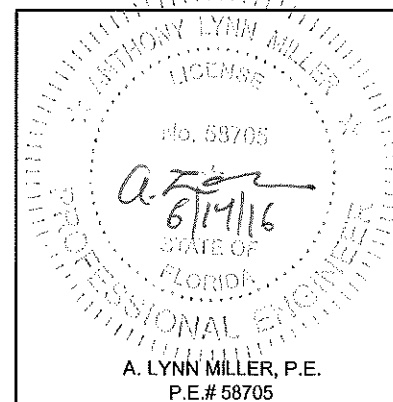
77 **DURASEAL**[®]
SPACER



78 **XL EDGE**[™]
SPACER

Part #	Description	Material
75	Kommerling 4SG TPS Spacer System	See this Sheet for Materials
76	Quanex Super Spacer nXT with Hot Melt Butyl	
77	Quanex Duraseal Spacer	
78	Cardinal XL Edge Spacer	

REFERENCE TEST REPORTS: FTL-8717, 8968 & 8970



1070 TECHNOLOGY DRIVE
N. VENICE, FL 34275
P.O. BOX 1529
NOKOMIS, FL 34274

CERT. OF AUTH. #29296

Revised By:	Date:	Revision:
JR	05/15/16	B) ADDED THIS SHEET
Revised By:	Date:	Revision:

Description:
ASSEMBLY DETAILS

Title:
SH WINDOW - SMALL MISSILE

Series/Model:	Scale:	Sheet:
SH-800	NTS	8 OF 8

PRODUCT REVISED
as complying with the Florida
Building Code
Acceptance No. 16-0714.02
Expiration Date May 3, 2022
By *Manuel Perez*
Miami Dade Product Control

Drawn By:
J ROSOWSKI

Date:
11/11/11

Drawing No.	Rev:
MD-SH800SM-01	B